



Installation instructions, accessories

Volvo Car Corporation Gothenburg, Sweden

Instruction No	Version	Part. No.
31650150	1.0	31650146

Parking assistance, camera, rear



Installation instructions, accessories

Volvo Car Corporation Gothenburg, Sweden

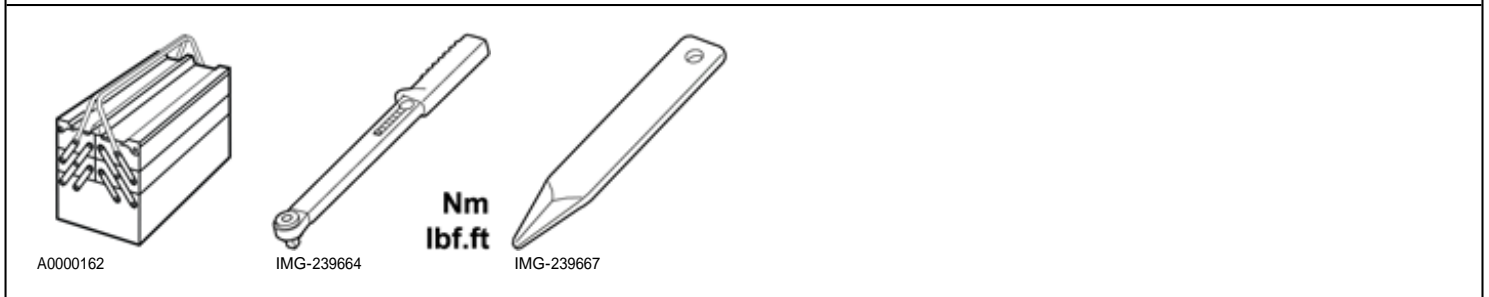
Special tools

	<p>999 5919 PULLER (SEAL-PINION,CAM-CRANKSHAFT)B200-6304</p> <p>Tool number:999 5919</p> <p>Tool description:PULLER (SEAL-PINION,CAM-CRANKSHAFT)B200-6304</p> <p>Tool boards:46</p>
	<p>981 4199 Torque wrench</p> <p>Tool number:981 4199</p> <p>Tool description:Torque wrench</p> <p>Tool boards:08</p>
	<p>951 2932 Tension spring</p> <p>Tool number:951 2932</p> <p>Tool description:Tension spring</p> <p>Tool boards:80</p>

Materials

Designation	Part number
Electrical tape	

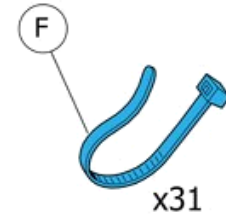
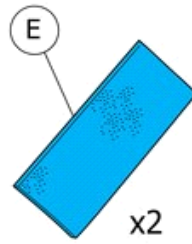
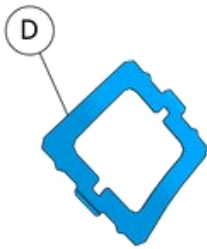
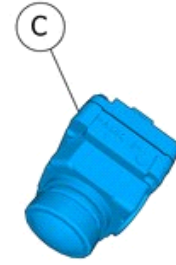
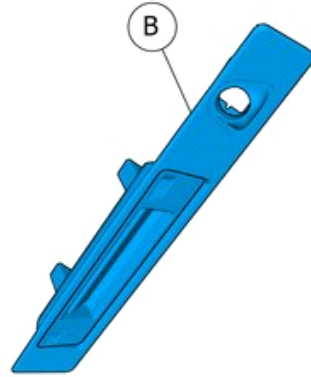
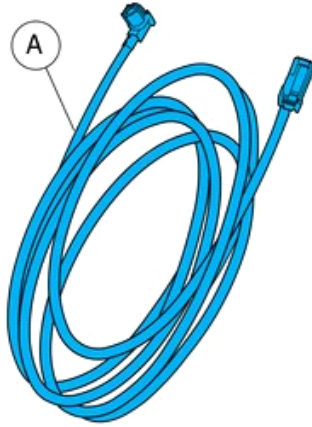
Equipment





Installation instructions, accessories

Volvo Car Corporation Gothenburg, Sweden



IMG-428043



Installation instructions, accessories

Volvo Car Corporation Gothenburg, Sweden

Information

1

Read through all of the instructions before starting installation.

Notifications and warning texts are for your safety and to minimise the risk of something breaking during installation.

Ensure that all tools stated in the instructions are available before starting installation.

Certain steps in the instructions are only presented in the form of images. Explanatory text is also given for more complicated steps.

In the event of any problems with the instructions or the accessory, contact your local Volvo dealer.

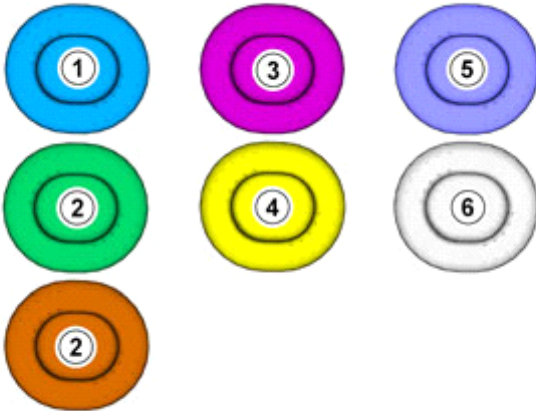
Conditions

2

There may be parts in the accessories kit that are not needed for this installation.

Color symbols

3



IMG-363036

Note!

This colour chart displays (in colour print and electronic version) the importance of the different colours used in the images of the method steps.

- Used for focused component, the component with which you will do something.
- Used as extra colors when you need to show or differentiate additional parts.
- Used for attachments that are to be removed/installed. May be screws, clips, connectors, etc.
- Used when the component is not fully removed from the vehicle but only hung to the side.
- Used for standard tools and special tools.
- Used as background color for vehicle components.

Preparation



Installation instructions, accessories

Volvo Car Corporation Gothenburg, Sweden

4



IMG-394535

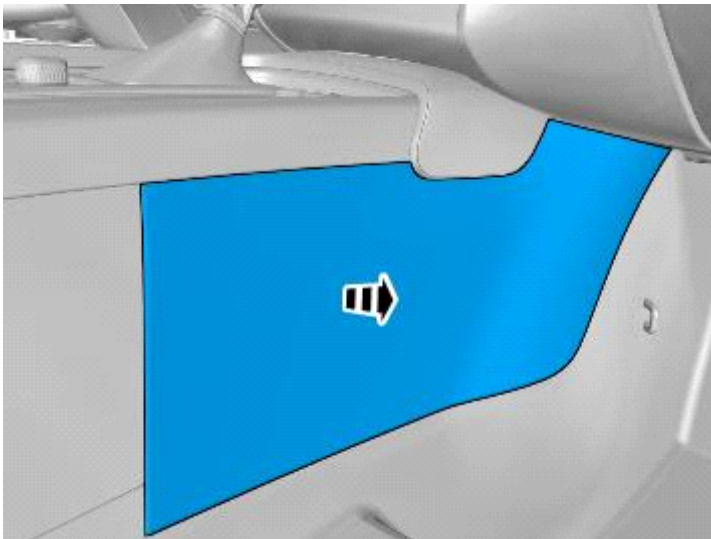
Removal

5

Note!

The removal steps may contain installation details.

6



IMG-383729

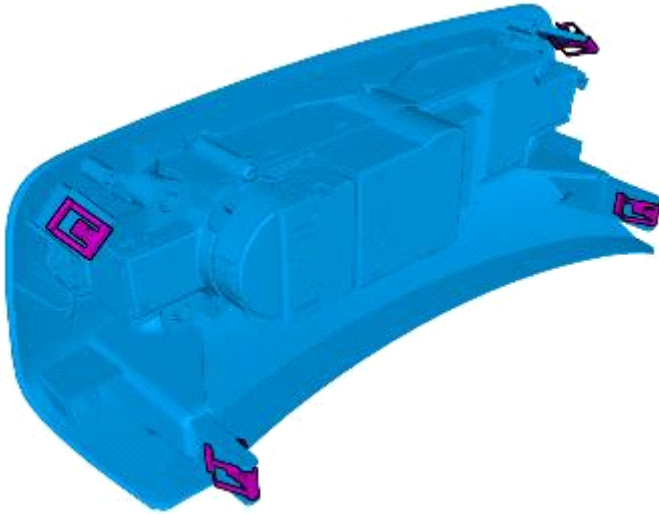
Remove the panel.



Installation instructions, accessories

Volvo Car Corporation Gothenburg, Sweden

7

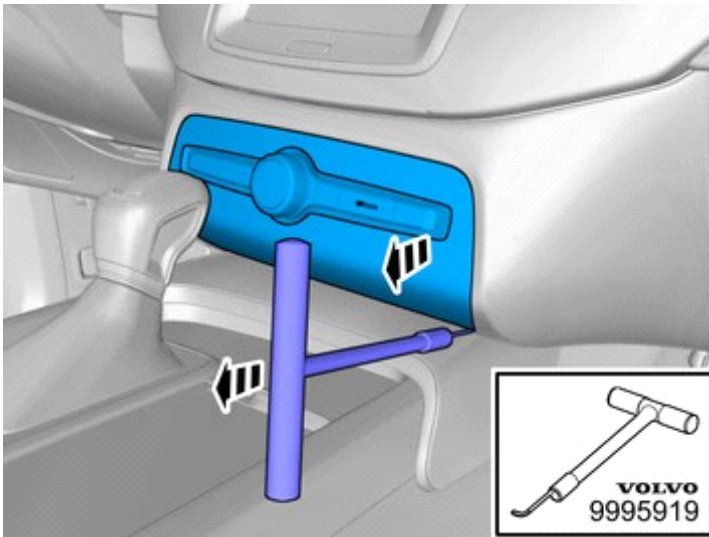


IMG-383769

Note!

The graphic shows the back of the component before removal.

8



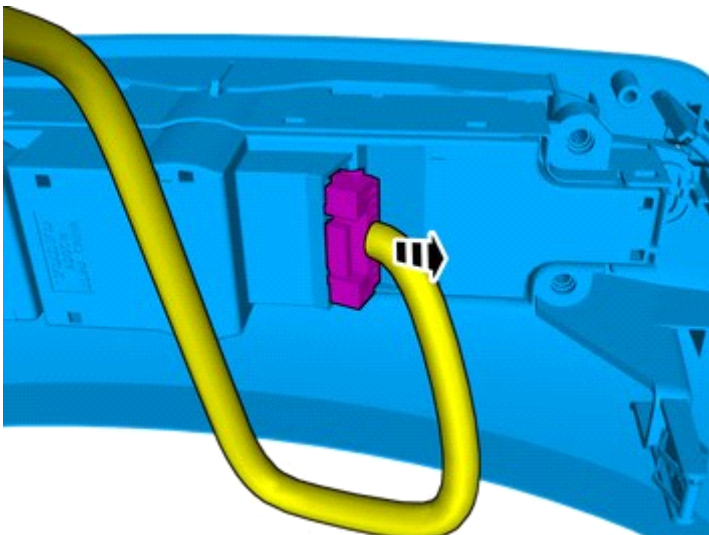
IMG-389246

Note!

Perform the procedure one side at a time.

Use special tool: T9995919, PULLER (SEAL-PINION,CAM-CRANKSHAFT)B200-6304

9



IMG-383770

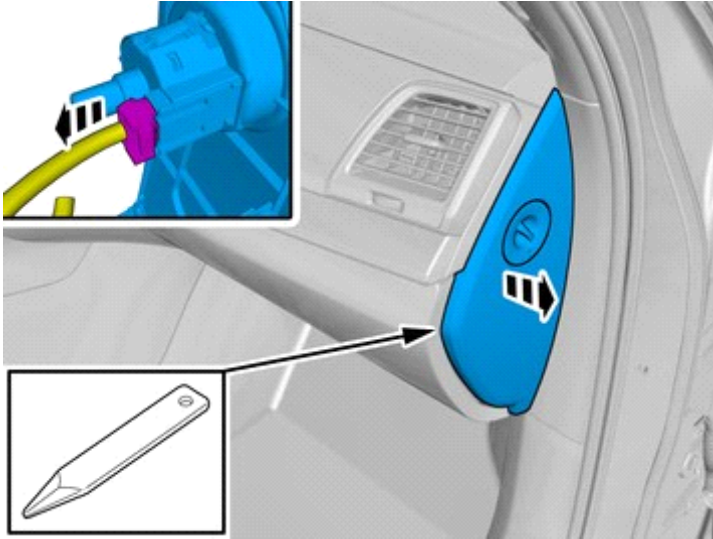
Disconnect the connector.



Installation instructions, accessories

Volvo Car Corporation Gothenburg, Sweden

10

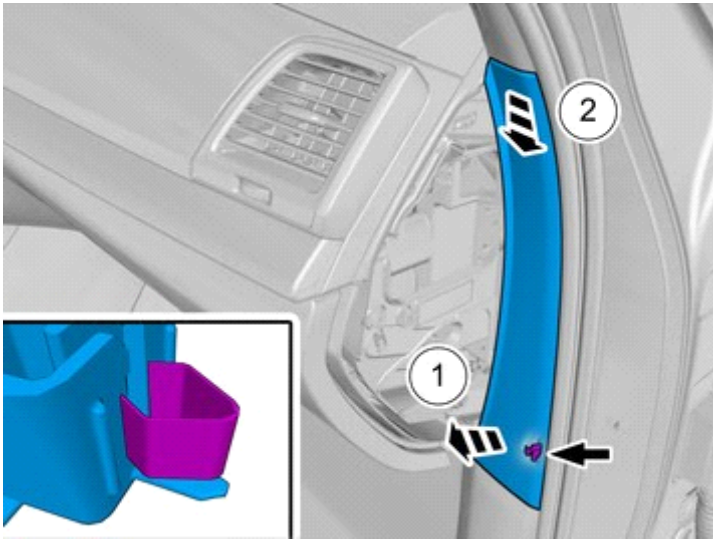


IMG-390109

Remove the panel.

Disconnect the connector, if applicable.

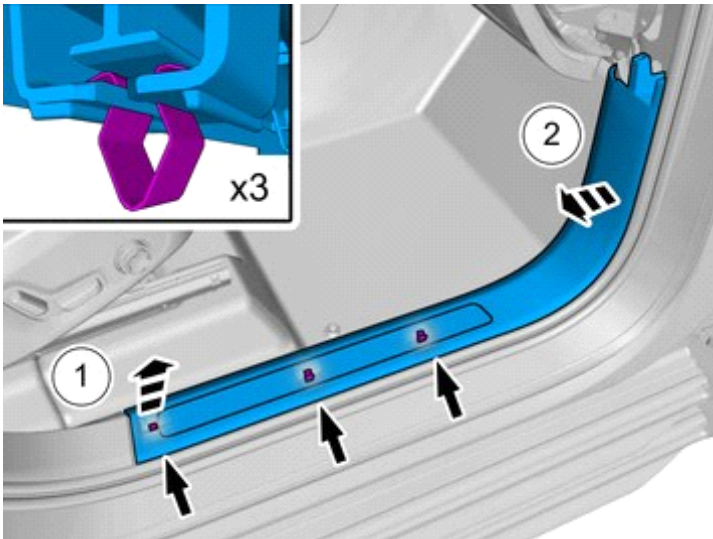
11



IMG-390116

Remove the panel.

12



IMG-390106

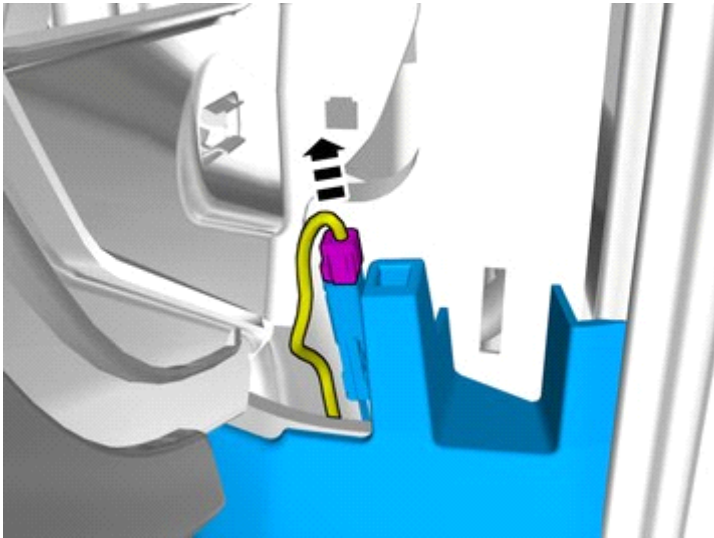
Remove the panel.



Installation instructions, accessories

Volvo Car Corporation Gothenburg, Sweden

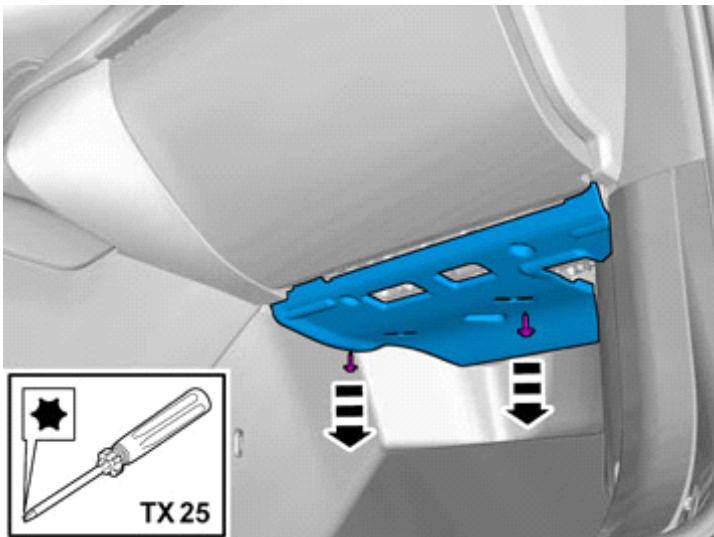
13



IMG-390091

Disconnect the connector, if applicable.

14



IMG-383237

Remove the screws.

Remove the panel.



Installation instructions, accessories

Volvo Car Corporation Gothenburg, Sweden

15



IMG-397295

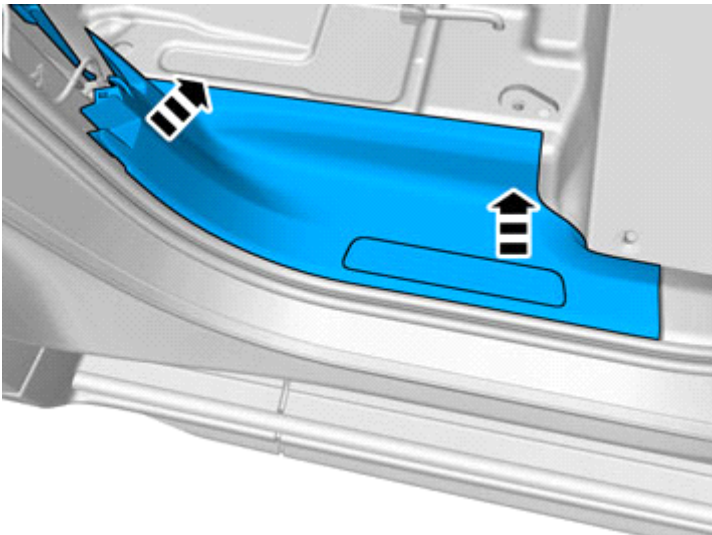
16



IMG-383125

Remove the panel.

17



IMG-383234

Remove the panel.

Disconnect the connector, if applicable.



Installation instructions, accessories

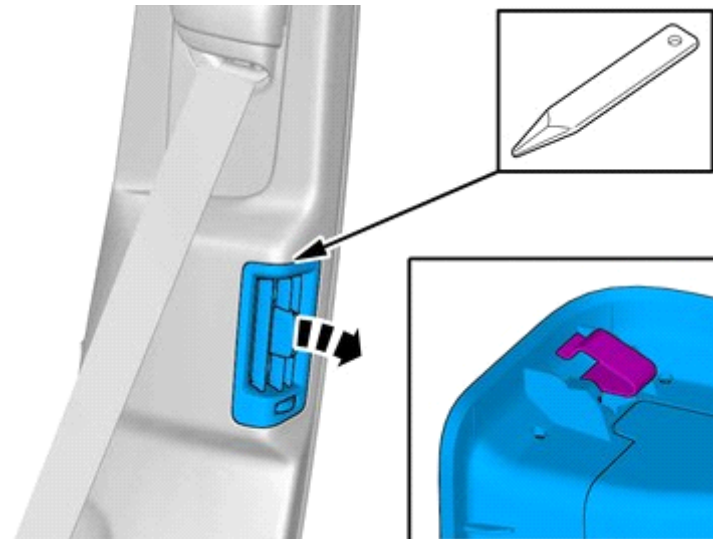
Volvo Car Corporation Gothenburg, Sweden

18



IMG-397220

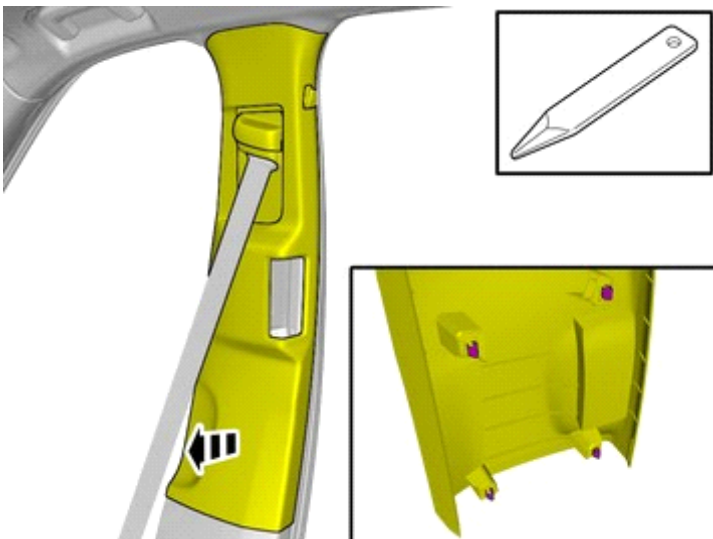
19



IMG-397280

Remove the marked part.

20



IMG-397244

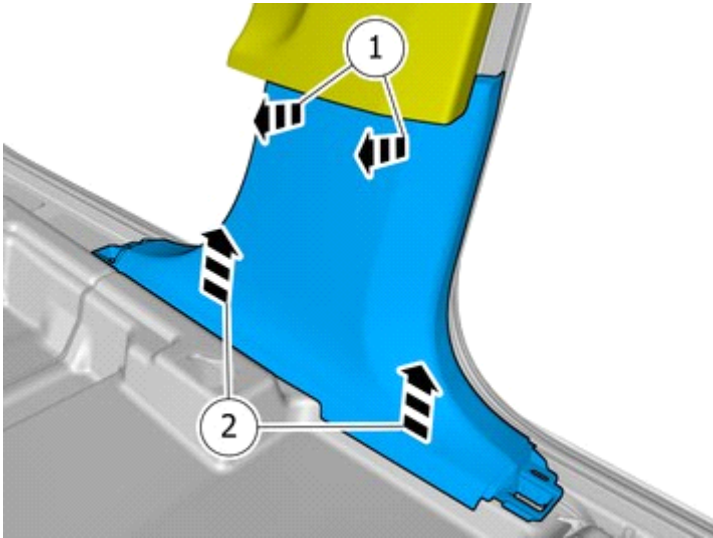
Detach the panel.



Installation instructions, accessories

Volvo Car Corporation Gothenburg, Sweden

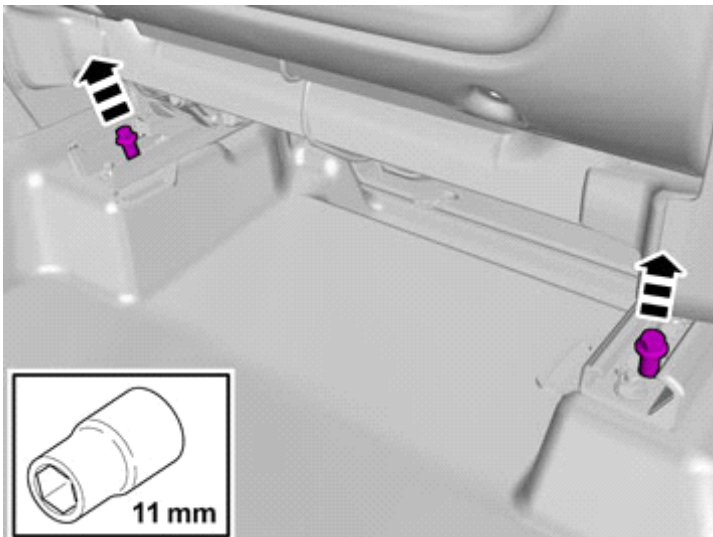
21



IMG-397247

Remove the panel.

22



IMG-383130

Remove the screws.

Tightening torque: Seat, to Body , 40 Nm



Installation instructions, accessories

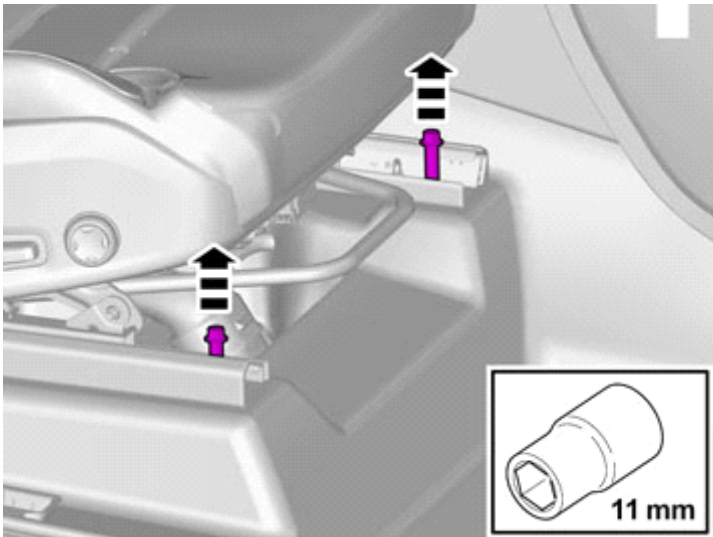
Volvo Car Corporation Gothenburg, Sweden

23



IMG-397249

24



IMG-383129

Remove the screws.

Tightening torque: Seat, to Body , 40 Nm

25



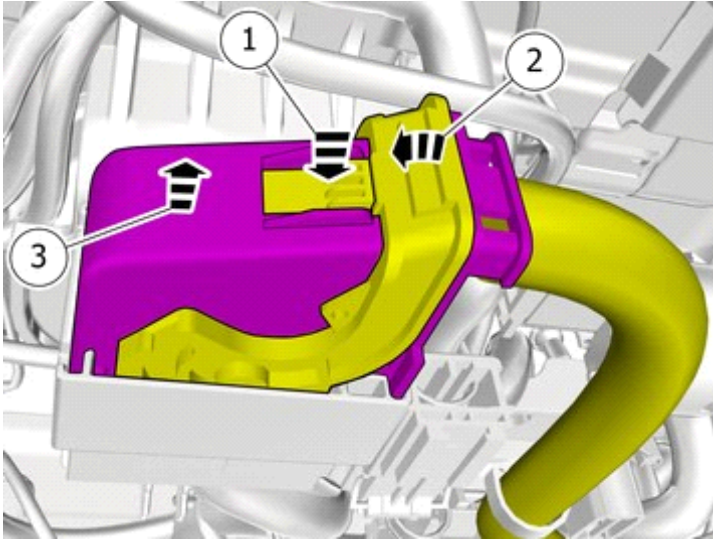
IMG-383134



Installation instructions, accessories

Volvo Car Corporation Gothenburg, Sweden

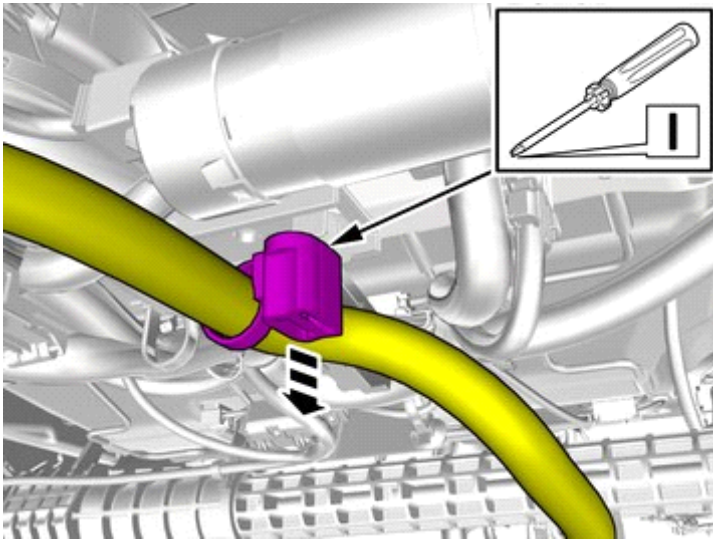
26



IMG-396605

Disconnect the connector.

27



IMG-396606

Unhook the cable harness clips.

28



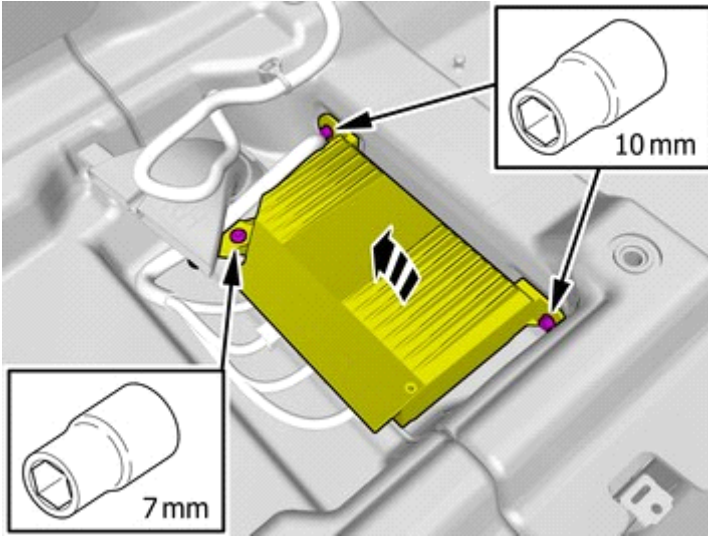
IMG-397252



Installation instructions, accessories

Volvo Car Corporation Gothenburg, Sweden

29

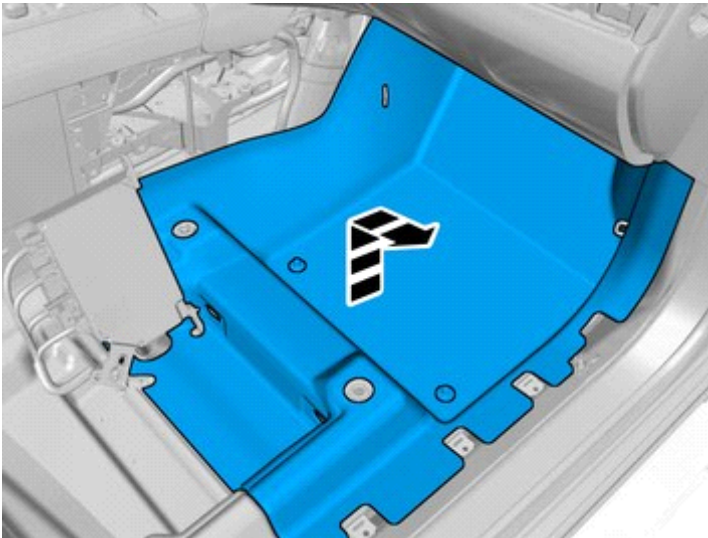


IMG-397624

Remove the screws.

Fold marked part to one side.

30



IMG-397637

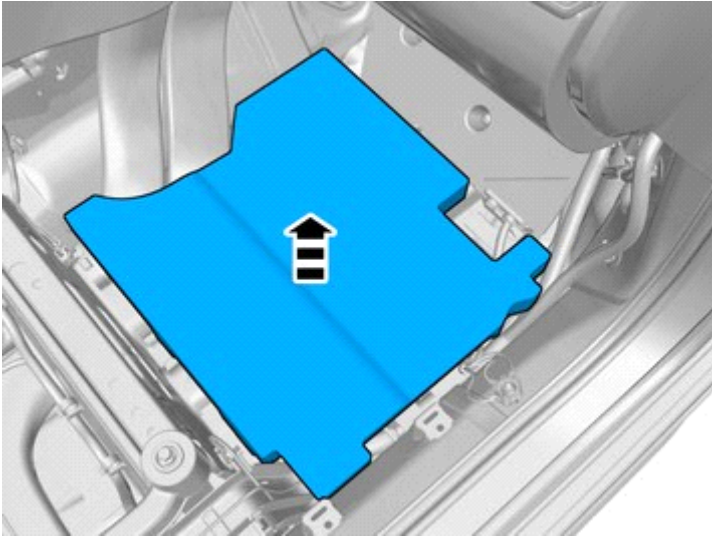
Remove the marked part.



Installation instructions, accessories

Volvo Car Corporation Gothenburg, Sweden

31

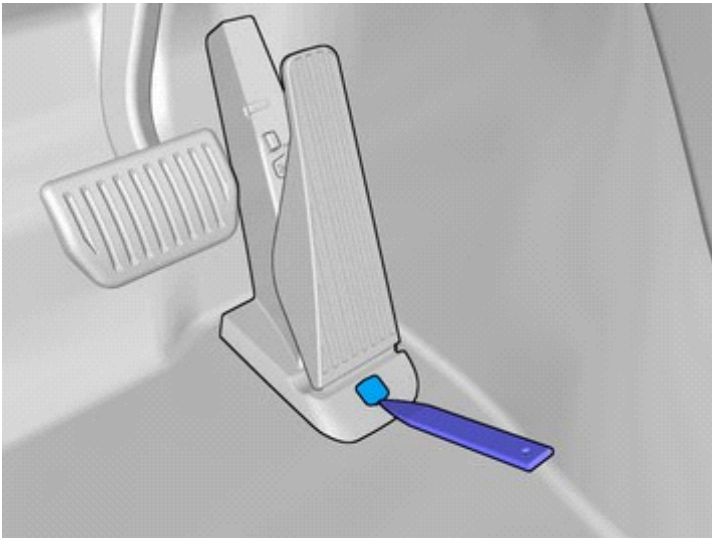


IMG-388605

Remove the marked part.

Right-hand drive vehicles

32



IMG-394096

Remove the marked part.

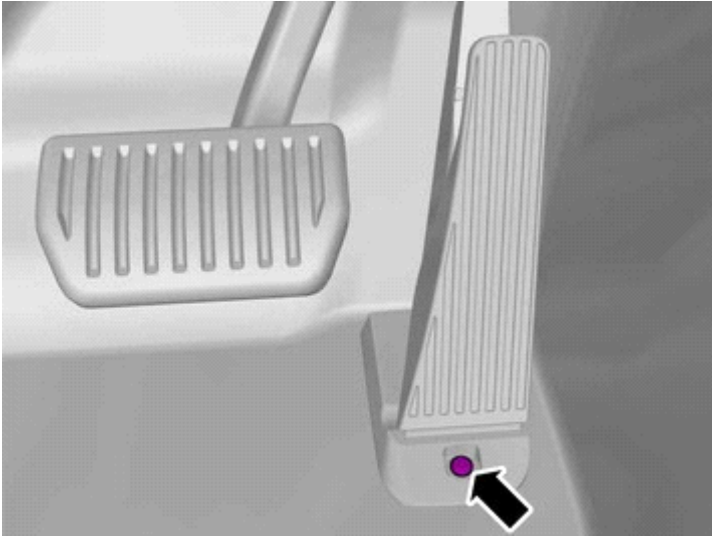
The part is to be reused.



Installation instructions, accessories

Volvo Car Corporation Gothenburg, Sweden

33

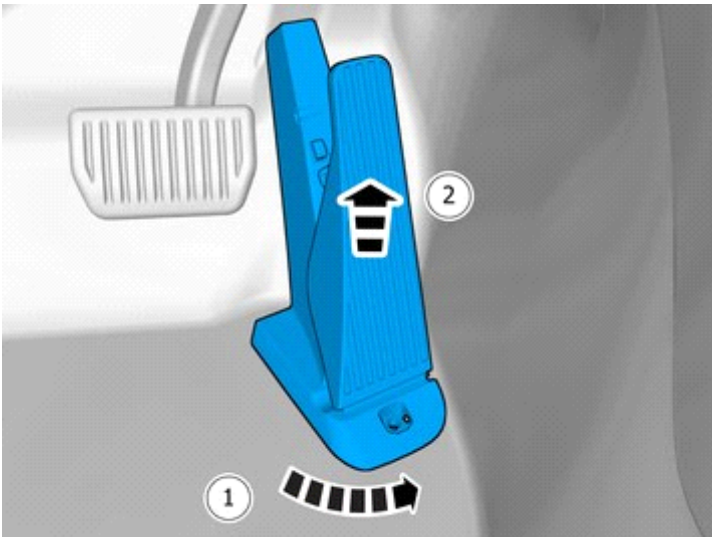


IMG-394081

Remove the screw.

The part is to be reused.

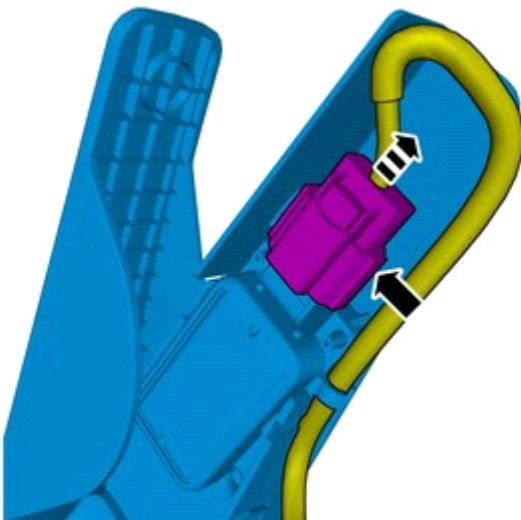
34



IMG-394105

Remove the marked part.

35



IMG-394078

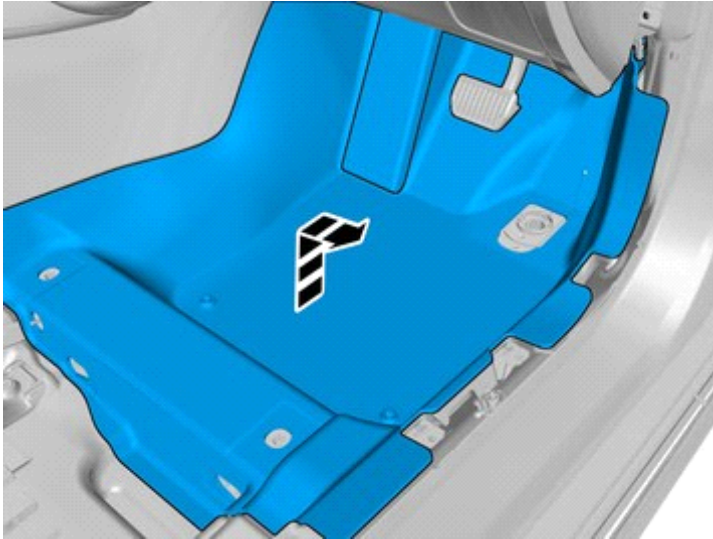
Disconnect the connector.



Installation instructions, accessories

Volvo Car Corporation Gothenburg, Sweden

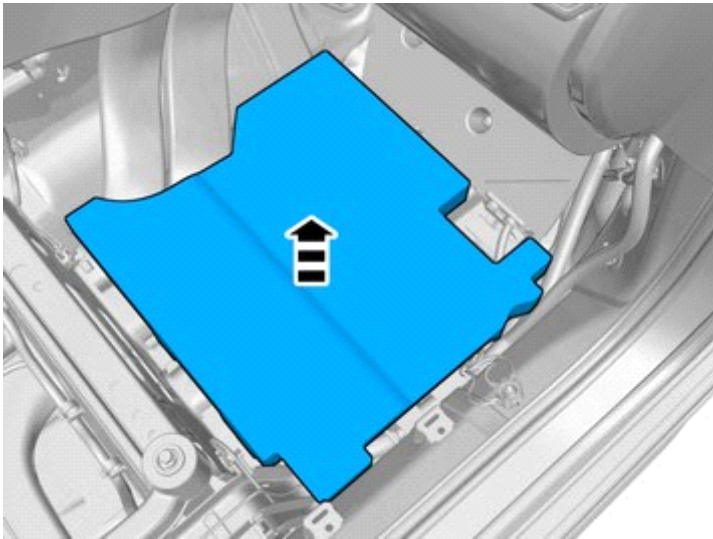
36



IMG-426665

Remove the marked part.

37



IMG-388605

Remove the marked part.

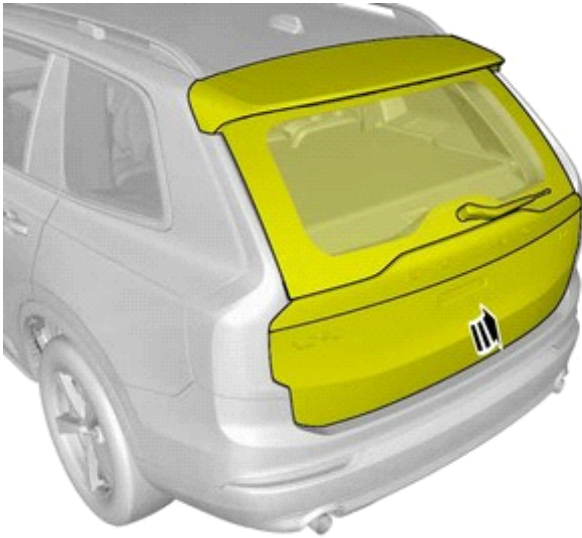
All vehicles



Installation instructions, accessories

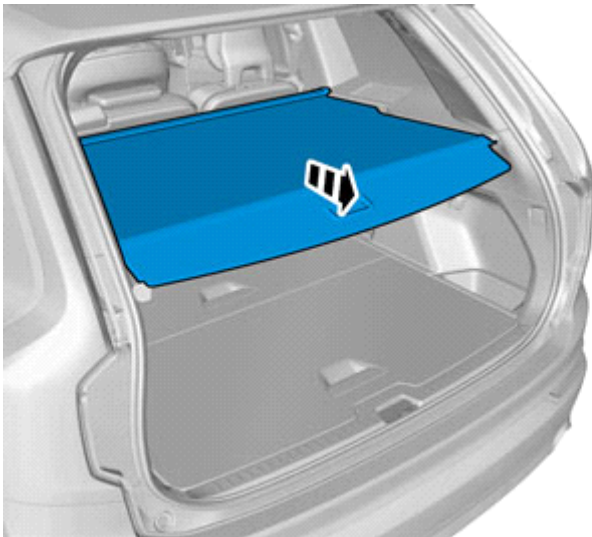
Volvo Car Corporation Gothenburg, Sweden

38



IMG-394779

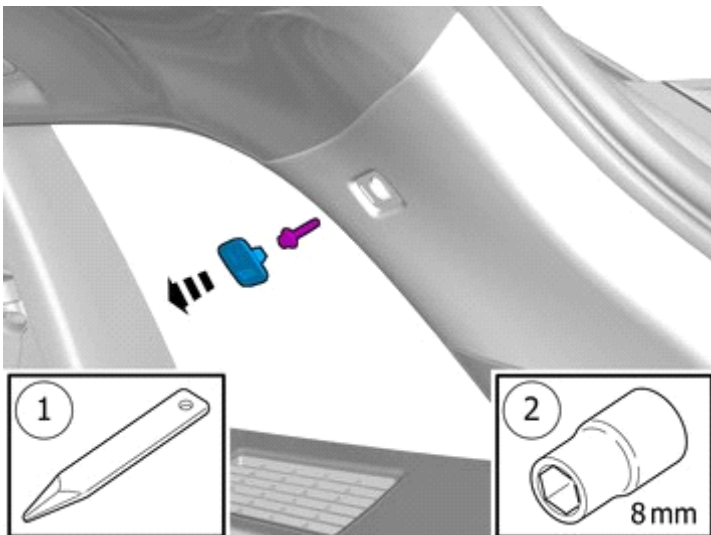
39



IMG-383039

Remove the marked part.

40



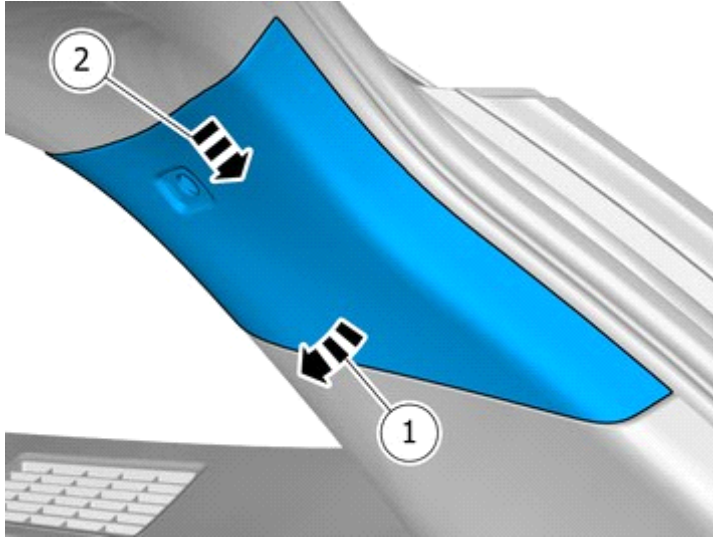
IMG-383043



Installation instructions, accessories

Volvo Car Corporation Gothenburg, Sweden

41

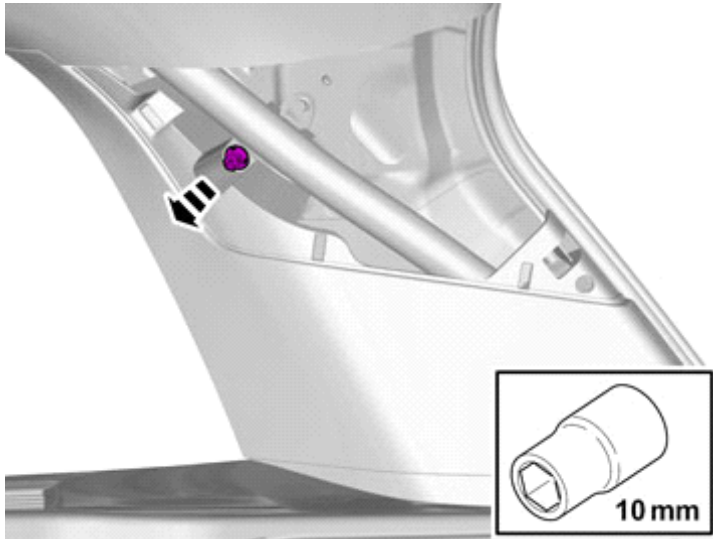


IMG-383044

Remove the panel.

Check that the fasteners are undamaged before installation. If not, they must be replaced with new ones.

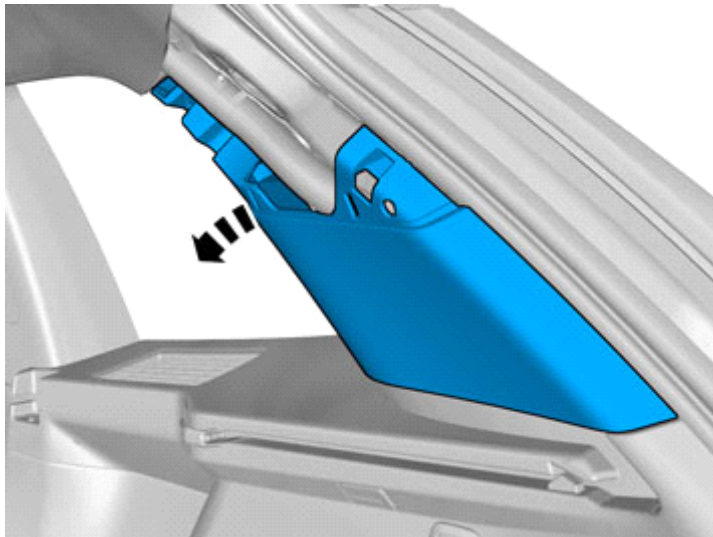
42



IMG-383045

Remove the nut.

43



IMG-383046

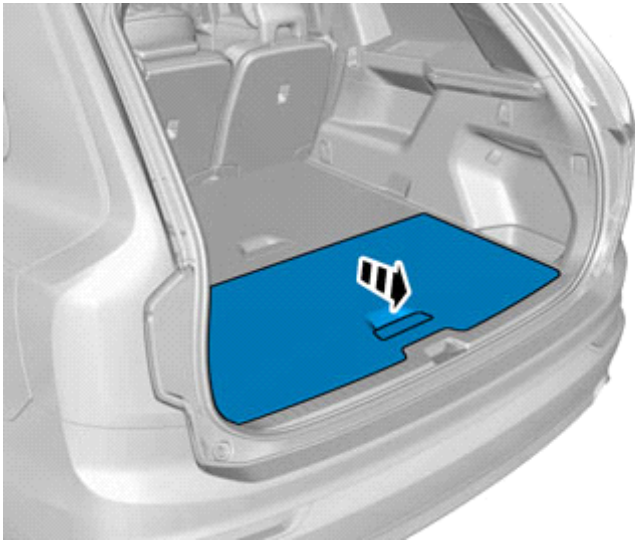
Remove the panel.



Installation instructions, accessories

Volvo Car Corporation Gothenburg, Sweden

44



IMG-383040

Remove the marked part.

45



IMG-394727

Remove the marked part.

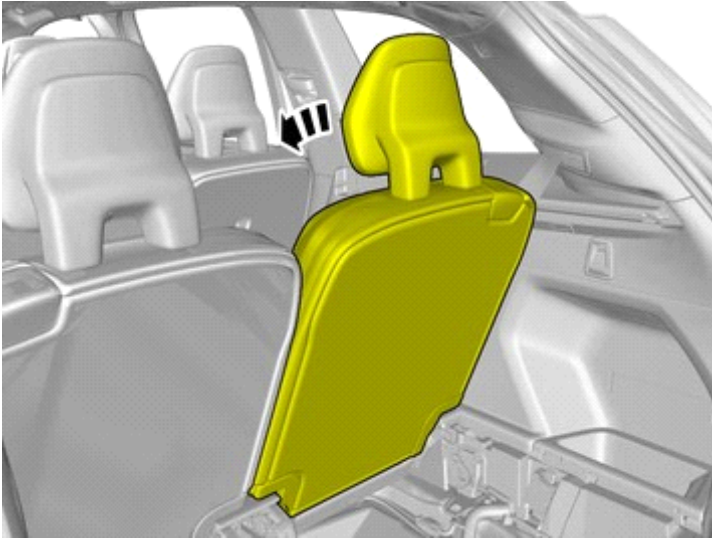
Vehicles with seven seats



Installation instructions, accessories

Volvo Car Corporation Gothenburg, Sweden

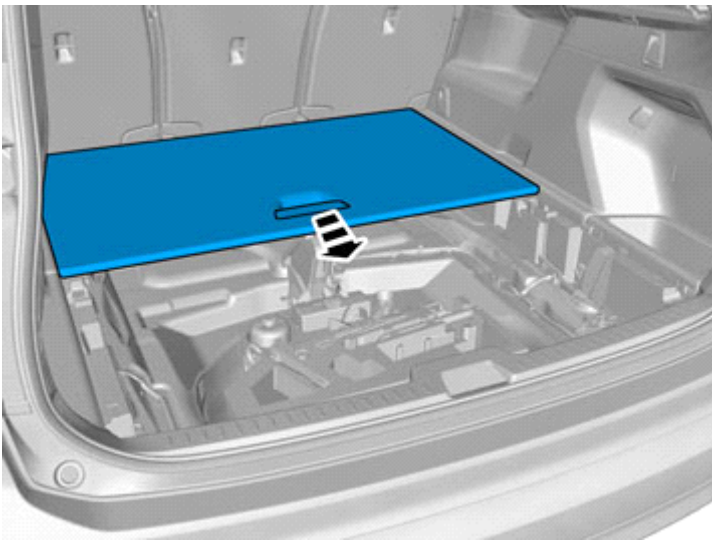
46



IMG-401374

Applies to all other vehicles

47



IMG-383042

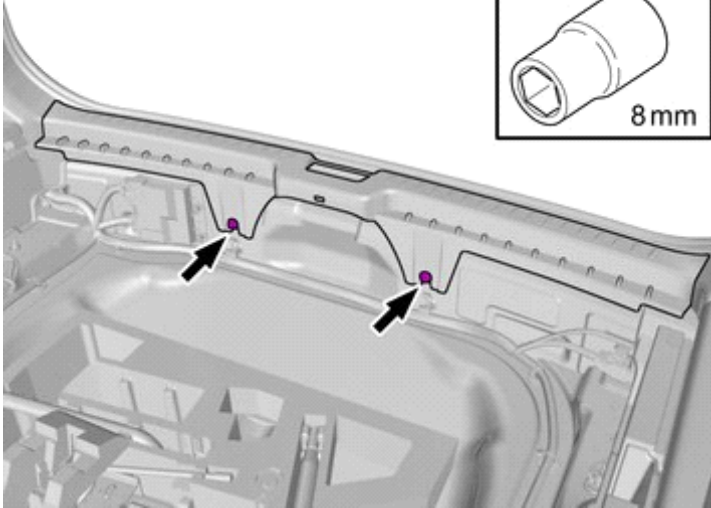
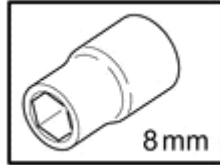
Remove the marked part.



Installation instructions, accessories

Volvo Car Corporation Gothenburg, Sweden

48

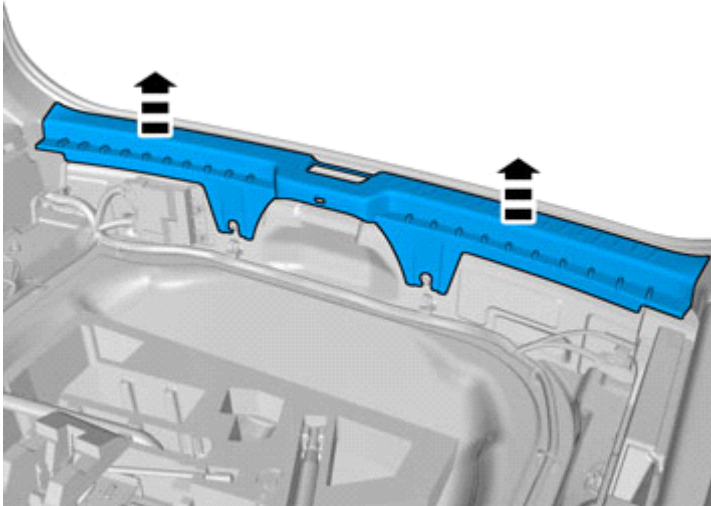


IMG-383047

Note!

Do not loosen the bolts more than 2 turns.

49

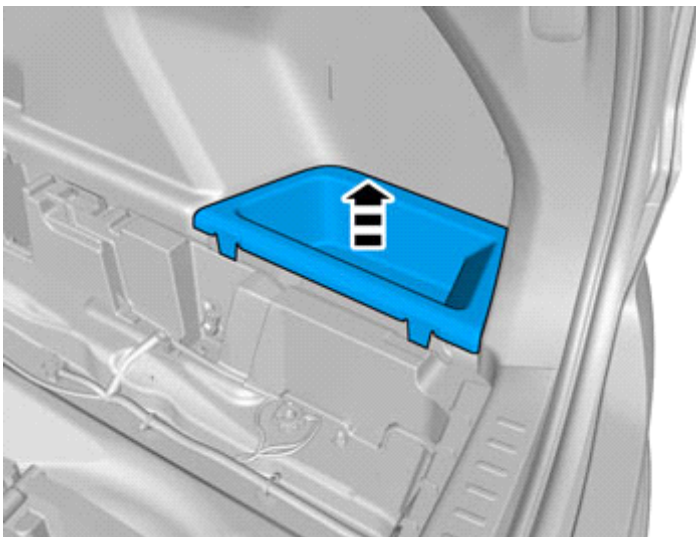


IMG-383048

Remove the panel.

Check that the fasteners are undamaged before installation. If not, they must be replaced with new ones.

50



IMG-383066

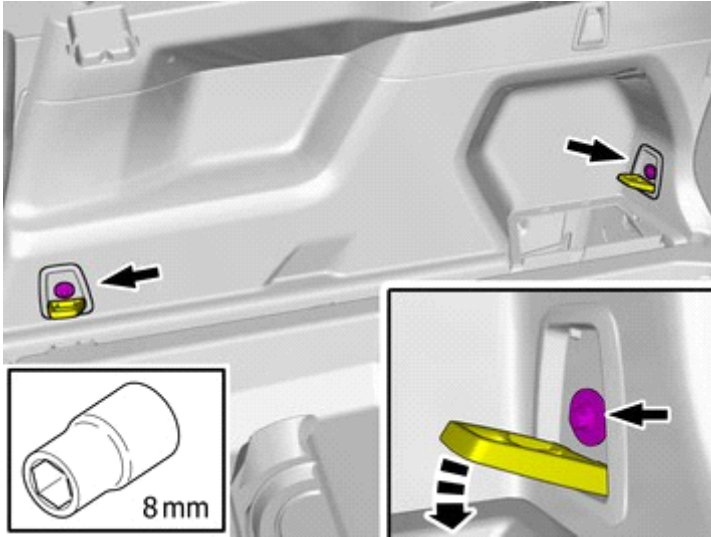
Remove the marked part.



Installation instructions, accessories

Volvo Car Corporation Gothenburg, Sweden

51

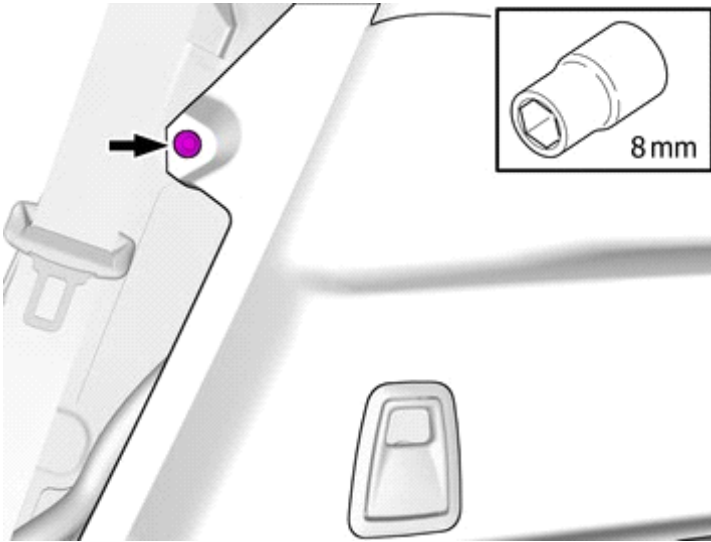


IMG-393945

Remove the screws.

Tightening torque: Cargo anchor, to body , 13 Nm

52



IMG-396625

Remove the screw.

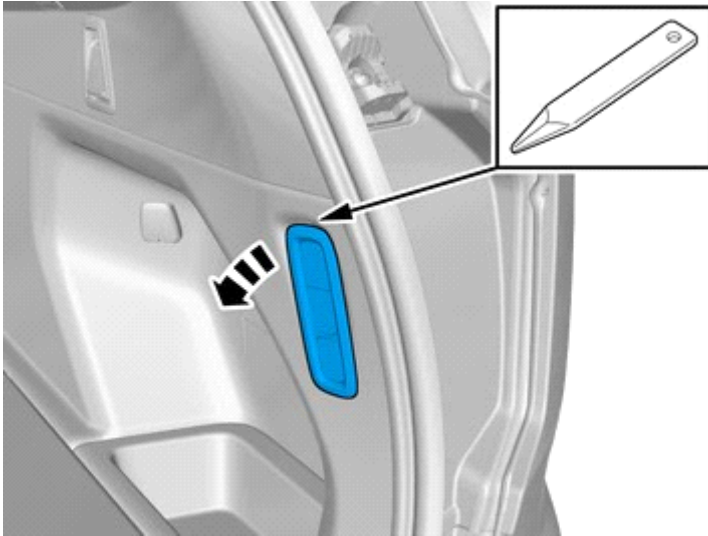
Vehicles with air suspension



Installation instructions, accessories

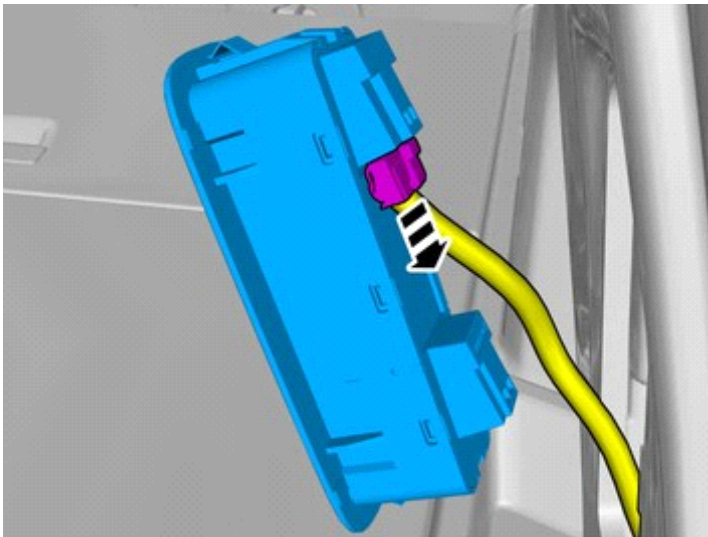
Volvo Car Corporation Gothenburg, Sweden

53



IMG-398660

54



IMG-398661

Disconnect the connector.

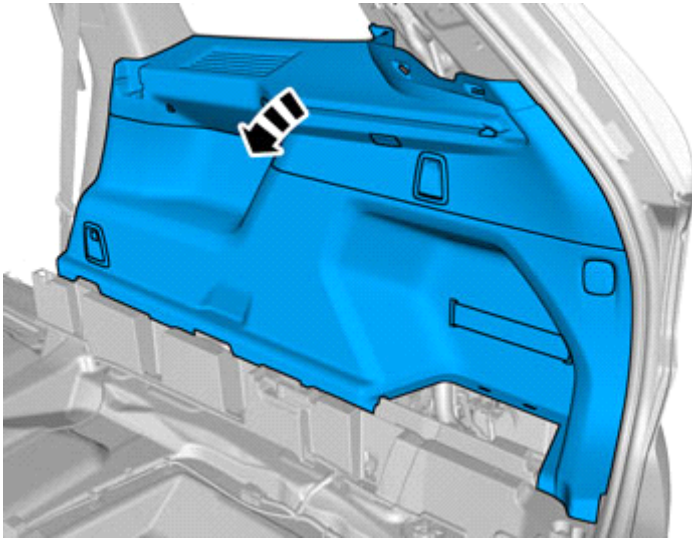
All vehicles



Installation instructions, accessories

Volvo Car Corporation Gothenburg, Sweden

55

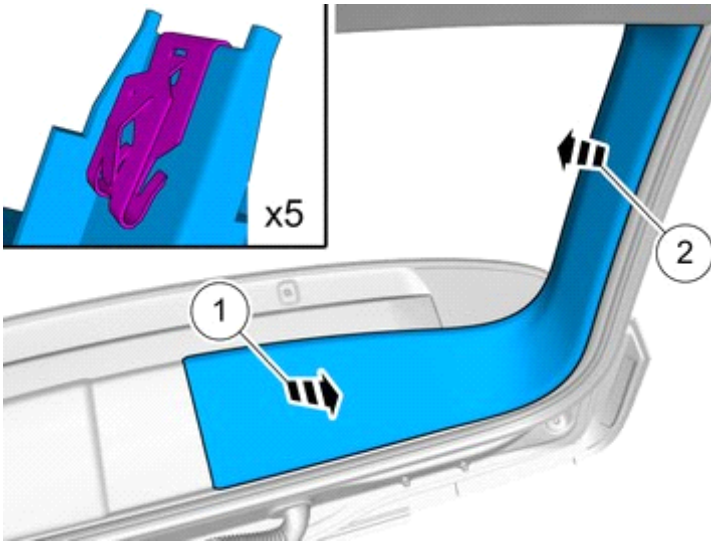


IMG-383049

Remove the panel.

Disconnect any connector(s).

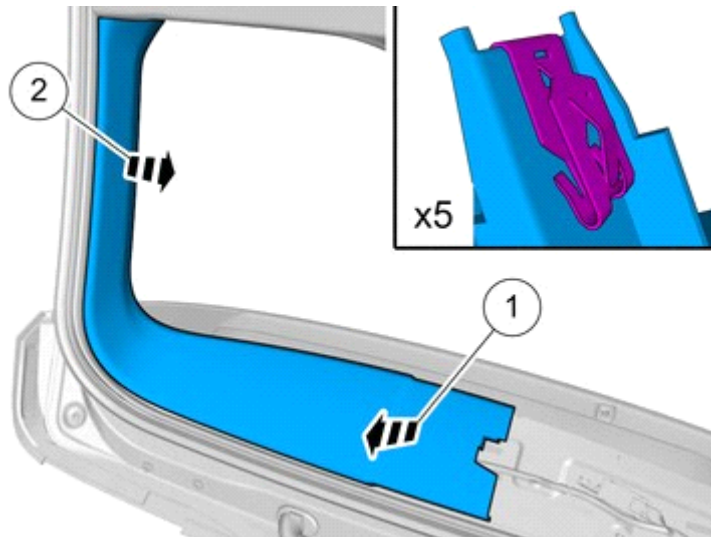
56



IMG-387863

Remove the panel.

57



IMG-387864

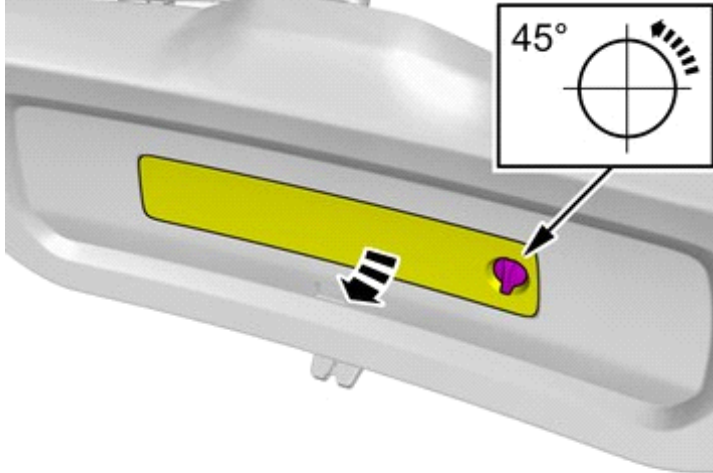
Remove the panel.



Installation instructions, accessories

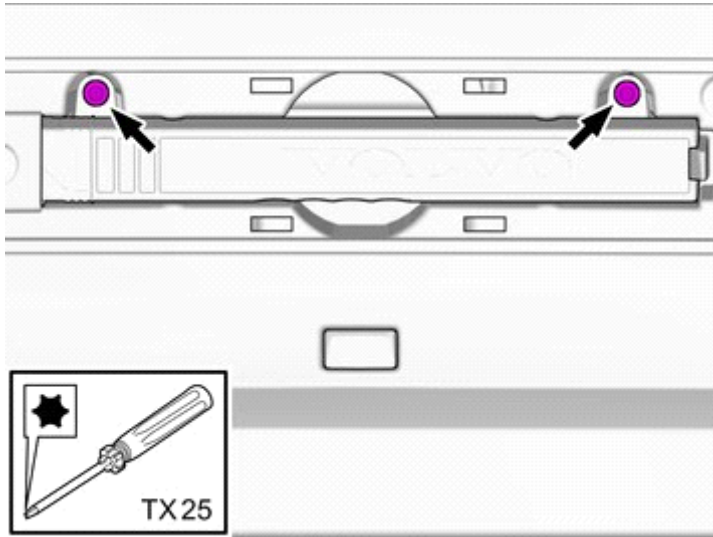
Volvo Car Corporation Gothenburg, Sweden

58



IMG-387860

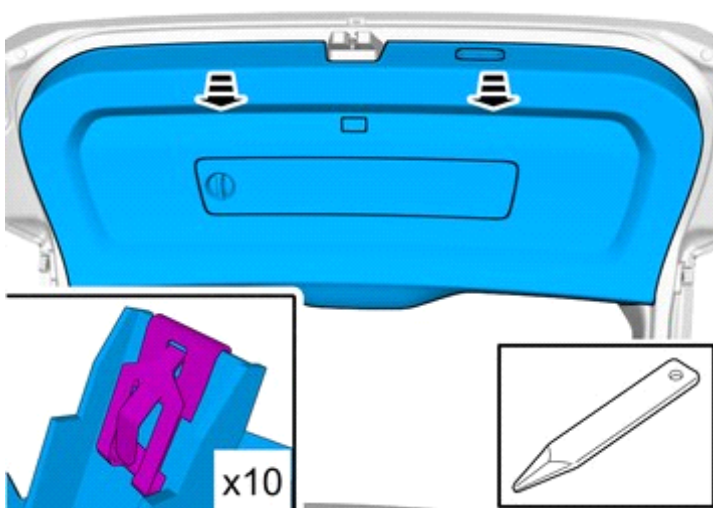
59



IMG-387861

Remove the screws.

60



IMG-387869

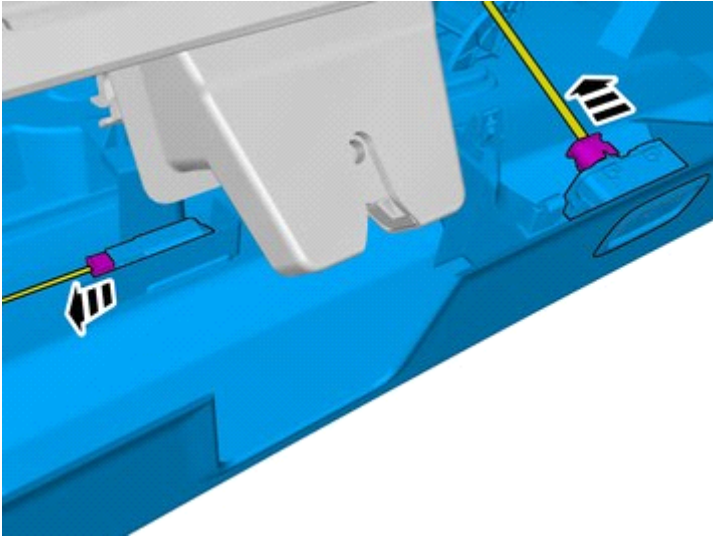
Detach the panel.



Installation instructions, accessories

Volvo Car Corporation Gothenburg, Sweden

61

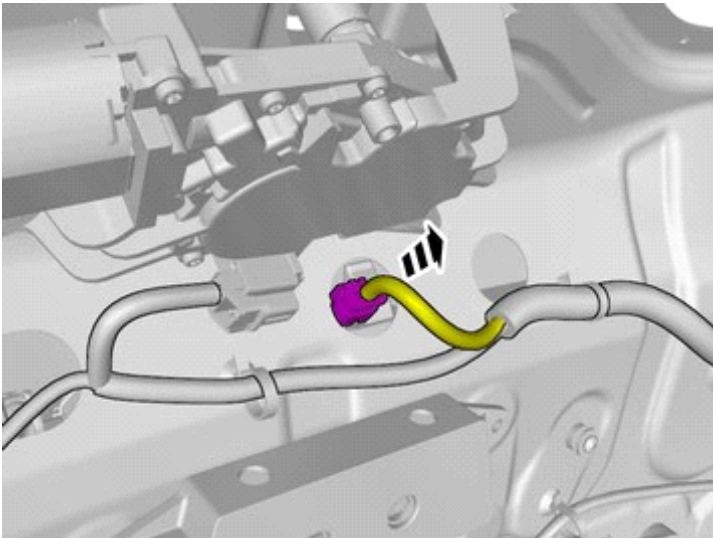


IMG-387873

Disconnect the connectors.

Remove the panel.

62



IMG-387888

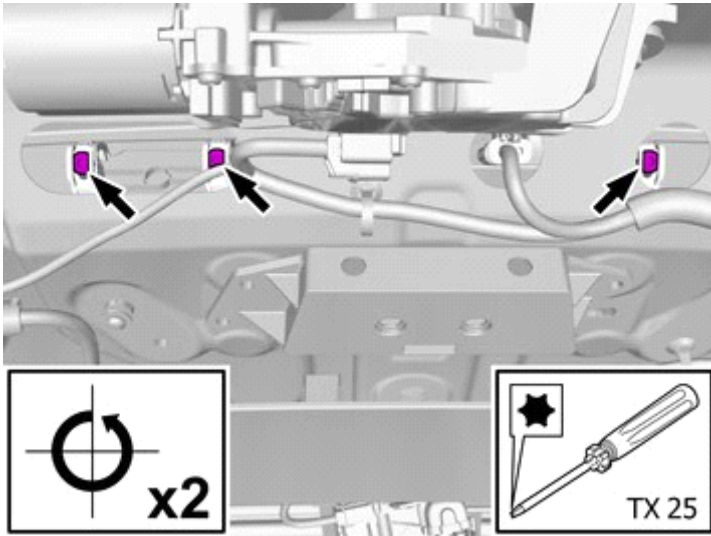
Disconnect the connector.



Installation instructions, accessories

Volvo Car Corporation Gothenburg, Sweden

63

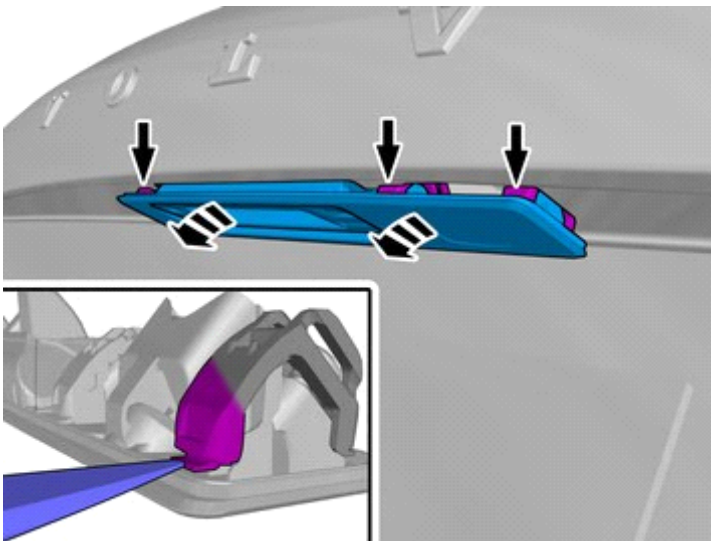


IMG-387889

Remove the screws.

Loosen the exact number of turns indicated in the image.

64



IMG-396590

Use: Interior trim remover

The part is not to be reused.

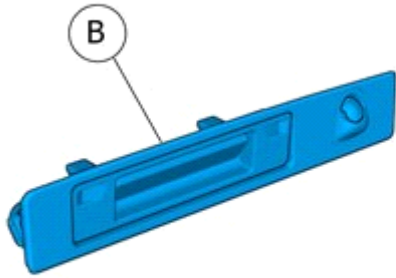
Accessory installation



Installation instructions, accessories

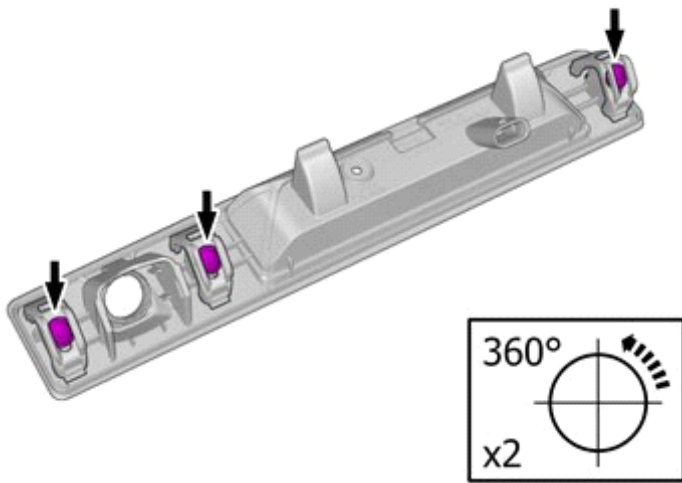
Volvo Car Corporation Gothenburg, Sweden

65



IMG-426490

66

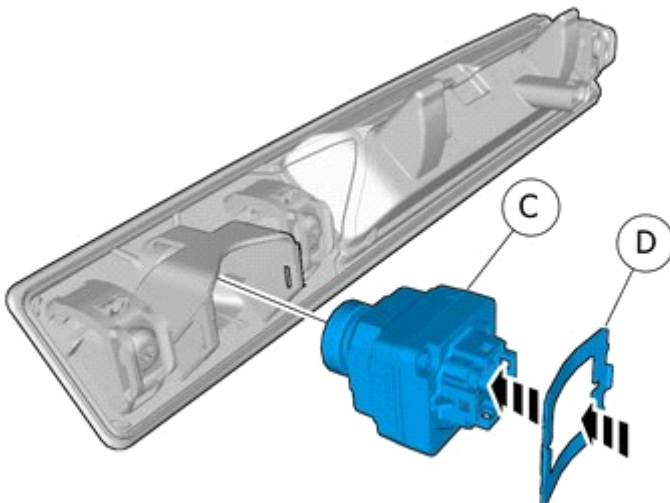


IMG-421775

Remove the screws.

Loosen the exact number of turns indicated in the image.

67



IMG-426491

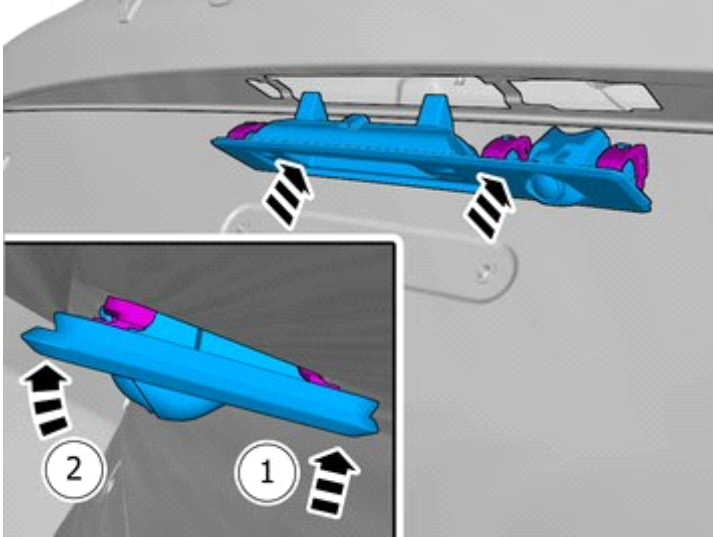
Install component that comes with the accessory kit.



Installation instructions, accessories

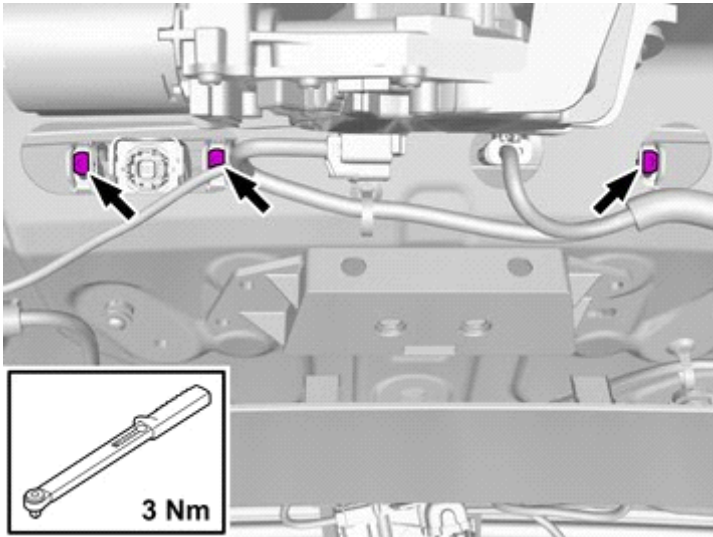
Volvo Car Corporation Gothenburg, Sweden

68



IMG-388004

69

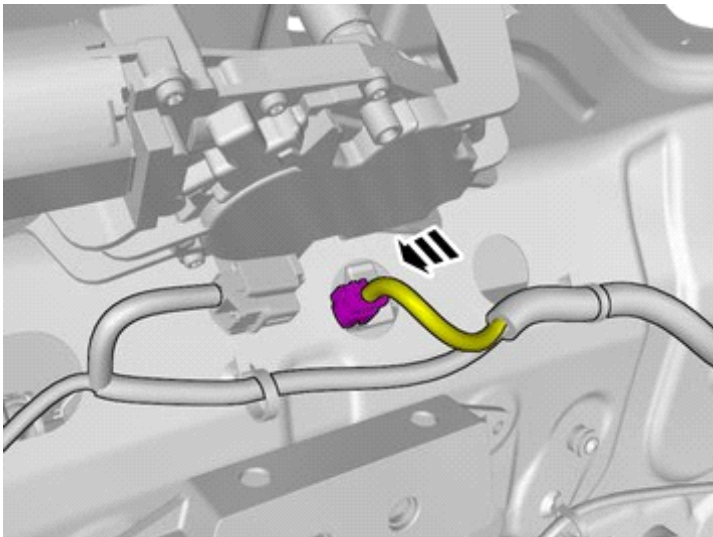


IMG-388007

Tighten the bolts.

Use special tool: T9814199, Torque wrench

70



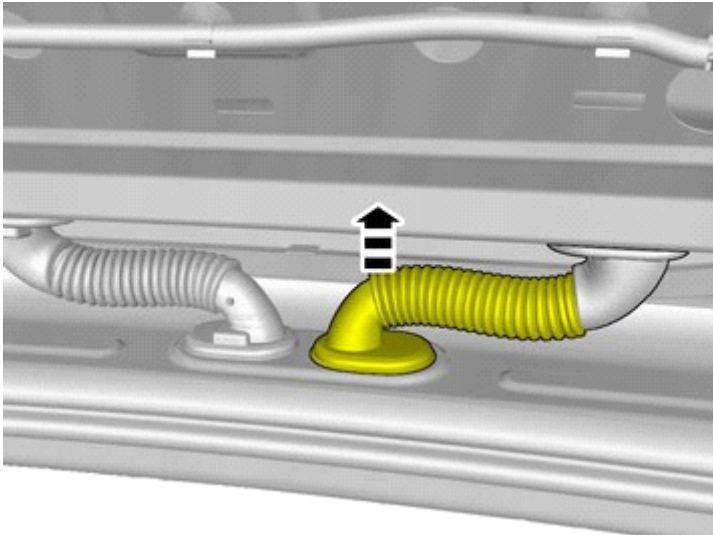
IMG-387996

Connect the connector.



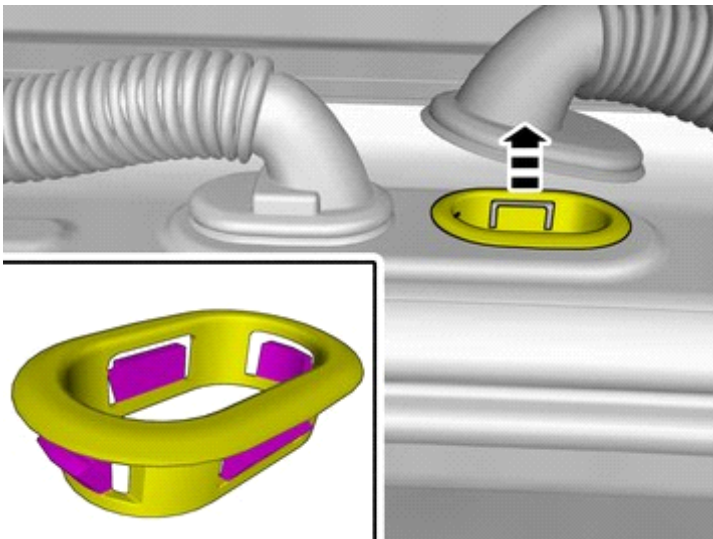
Removal

71



IMG-388058

72



Release the catches.

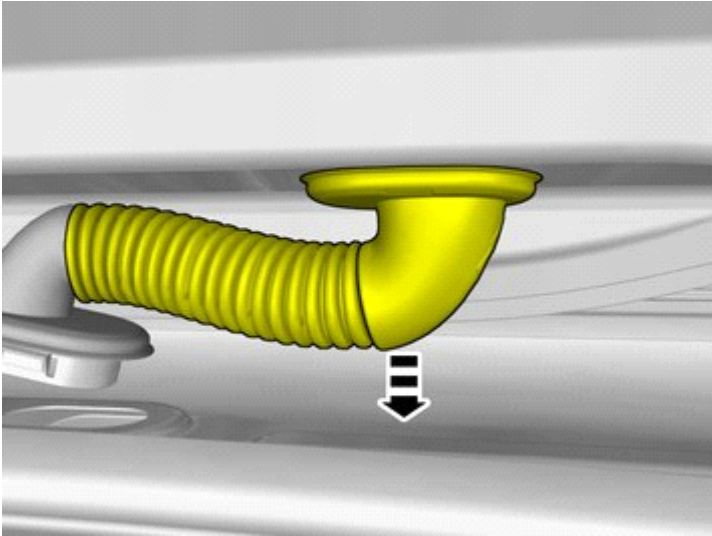
IMG-401380



Installation instructions, accessories

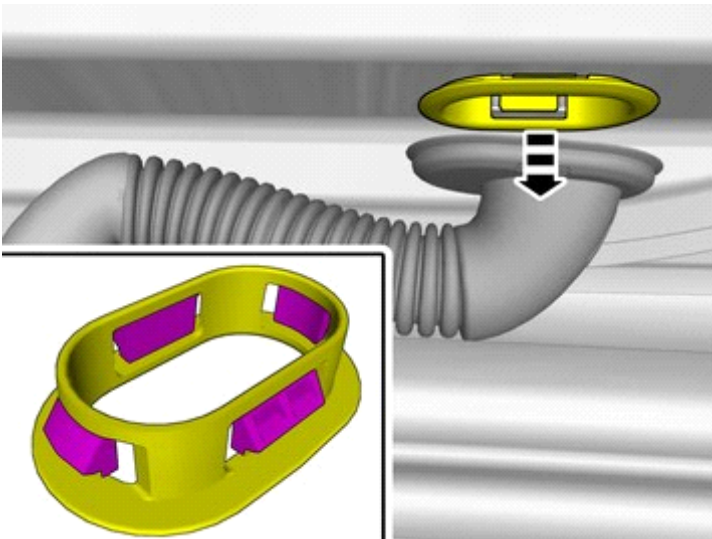
Volvo Car Corporation Gothenburg, Sweden

73



IMG-388072

74



IMG-401393

Release the catches.

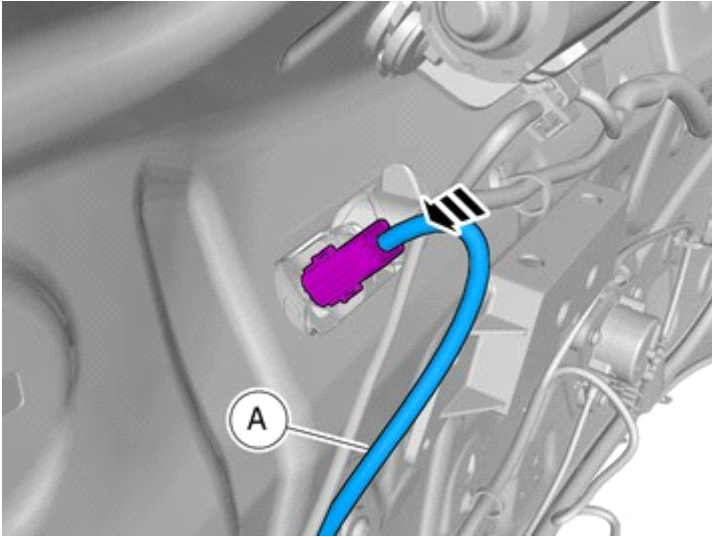
Accessory installation



Installation instructions, accessories

Volvo Car Corporation Gothenburg, Sweden

75

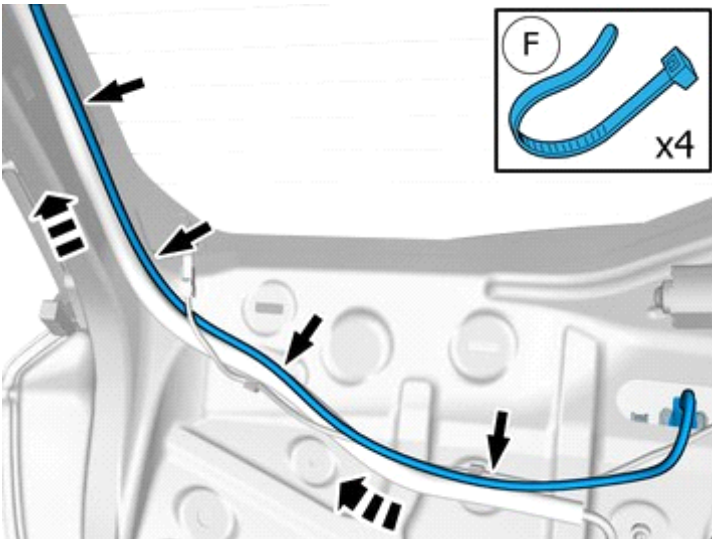


IMG-426505

Install component that comes with the accessory kit.

Connect the connector.

76



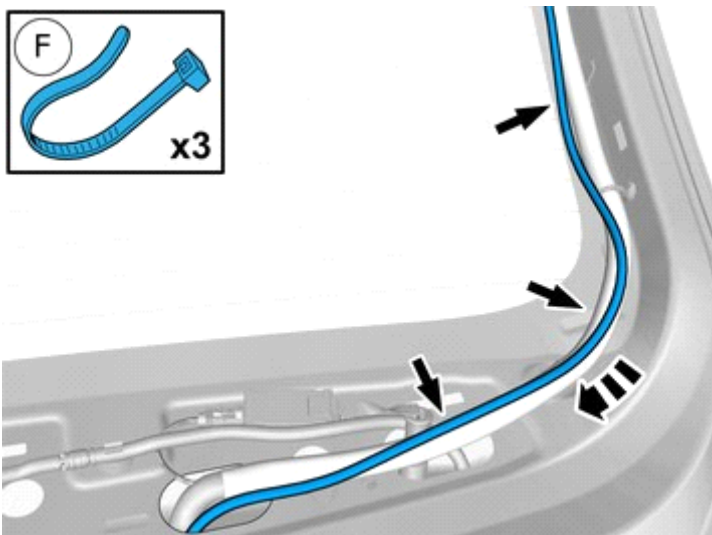
IMG-426751

Route the wire adjacent to existing wirings.

Install the cable.

Use a cable tie

77



IMG-426752

Route the wire adjacent to existing wirings.

Install the cable.

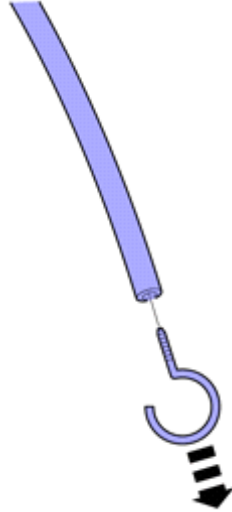
Use a cable tie



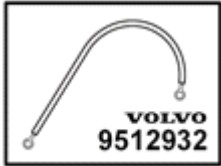
Installation instructions, accessories

Volvo Car Corporation Gothenburg, Sweden

78

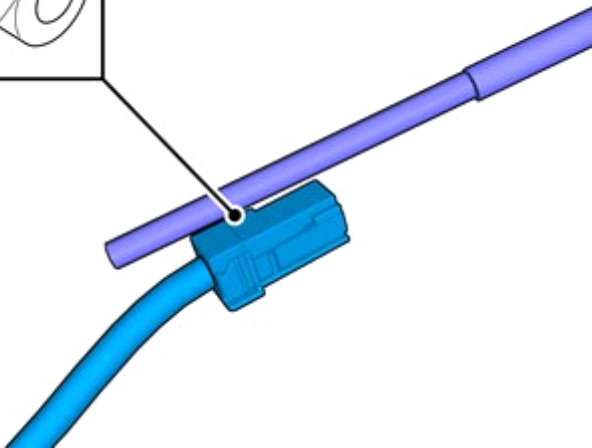
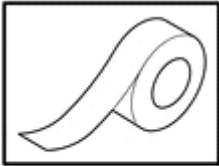


Use special tool: T9512932, Tension spring



IMG-382372

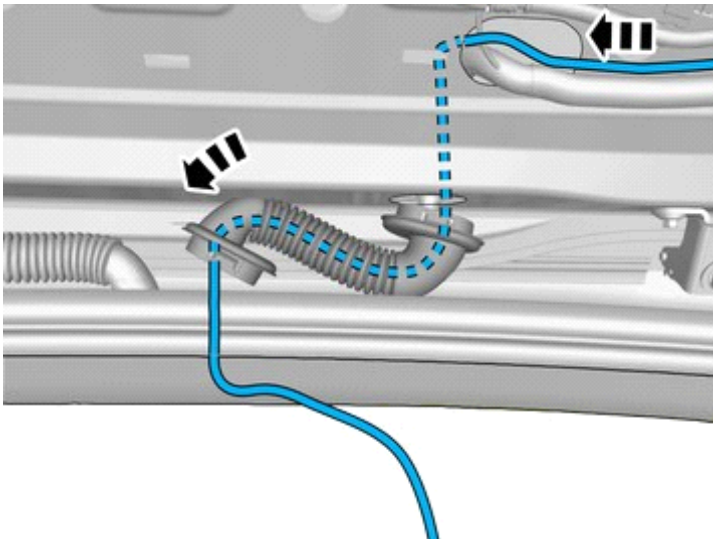
79



Use: , Electrical tape

IMG-397348

80



Pull the wiring through.

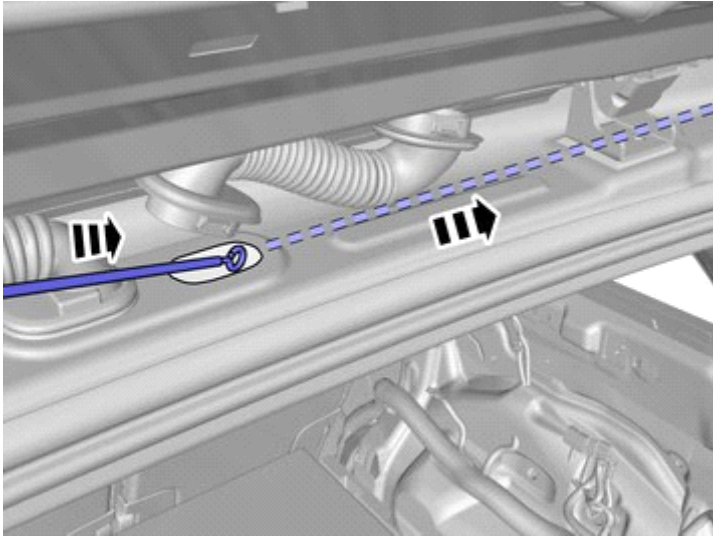
IMG-404726



Installation instructions, accessories

Volvo Car Corporation Gothenburg, Sweden

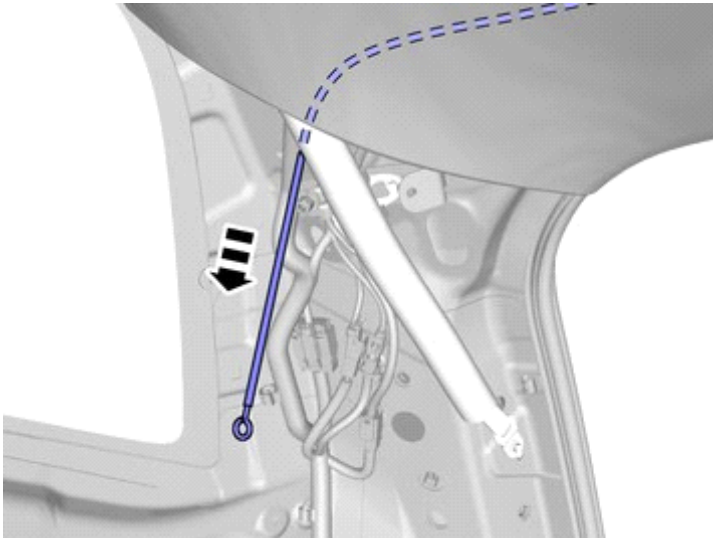
81



IMG-404760

Pull the wiring through.

82



IMG-404772

Caution!

The wire must be routed behind the inflatable curtain.

Pull the wiring through.

Remove the Special Tool.

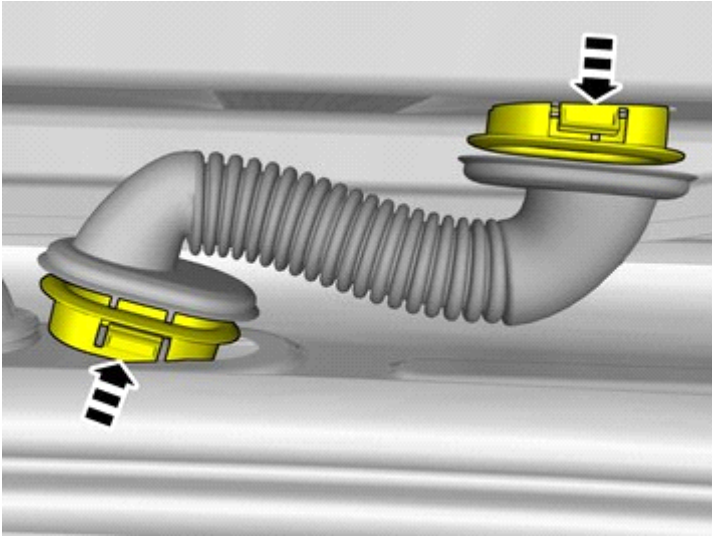
Installation



Installation instructions, accessories

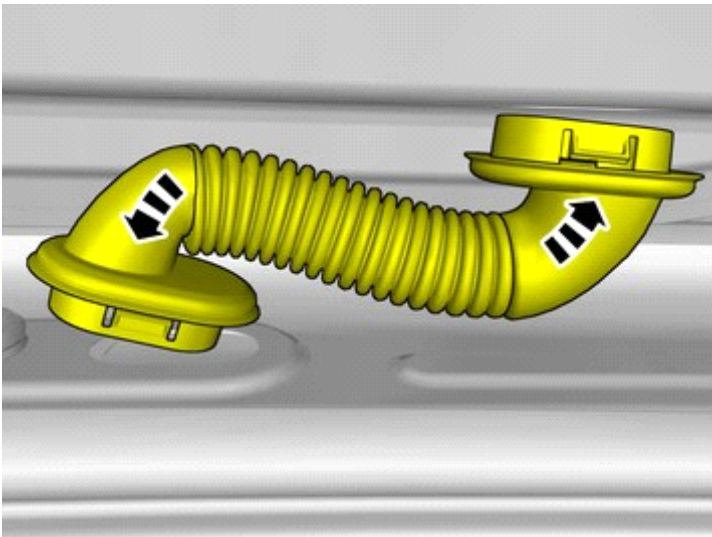
Volvo Car Corporation Gothenburg, Sweden

83



IMG-401404

84



IMG-401403

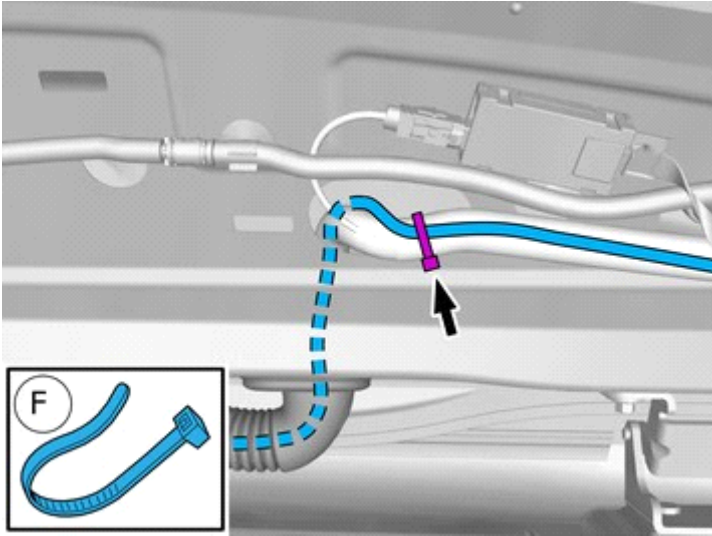
Accessory installation



Installation instructions, accessories

Volvo Car Corporation Gothenburg, Sweden

85



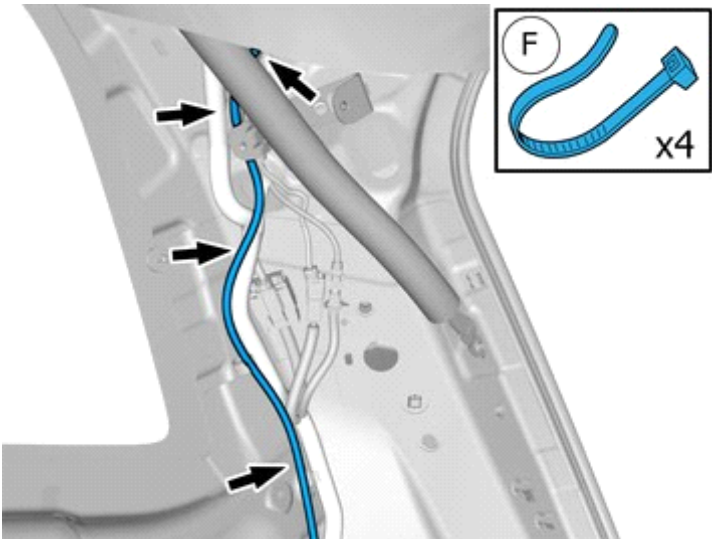
IMG-426750

Adjust the position of the wiring.

Install the cable.

Use a cable tie

86



IMG-426672

Caution!
The wire must be routed behind the inflatable curtain.

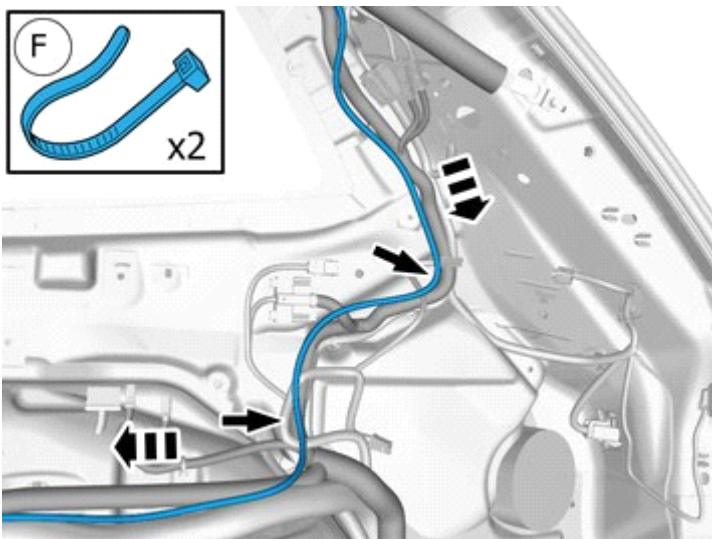
Route the wire adjacent to existing wirings.

Adjust the position of the wiring.

Install the cable.

Use a cable tie

87



IMG-426674

Route the wire adjacent to existing wirings.

Install the cable.

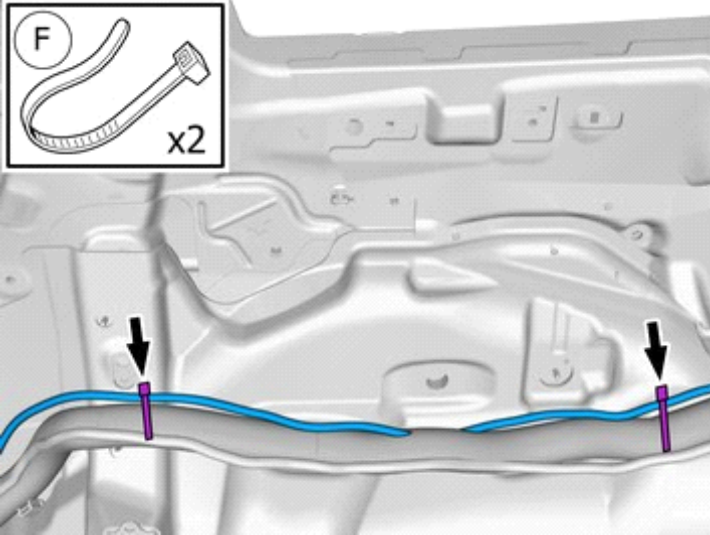
Use a cable tie



Installation instructions, accessories

Volvo Car Corporation Gothenburg, Sweden

88



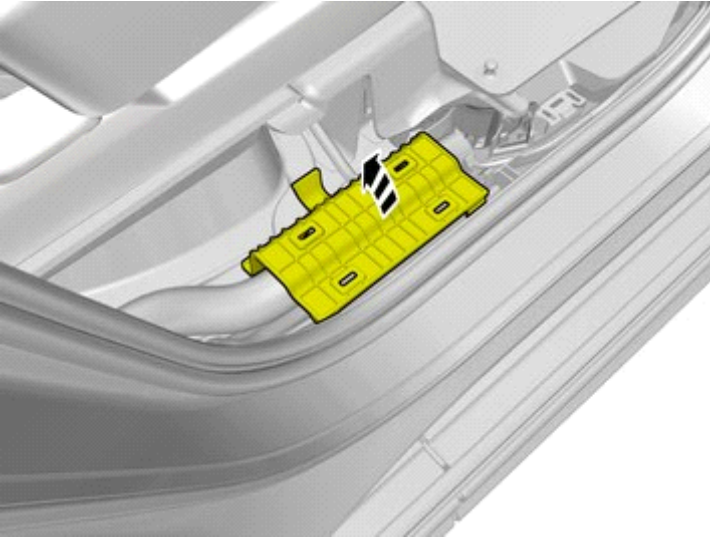
IMG-426525

Route the wires adjacent to existing wirings.

Install the cables.

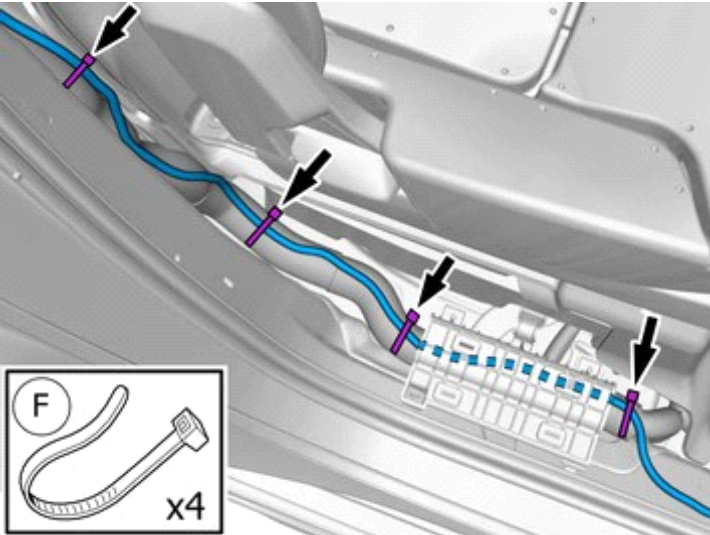
Use a cable tie

89



IMG-397598

90



IMG-426567

Route the wires adjacent to existing wirings.

Install the cables.

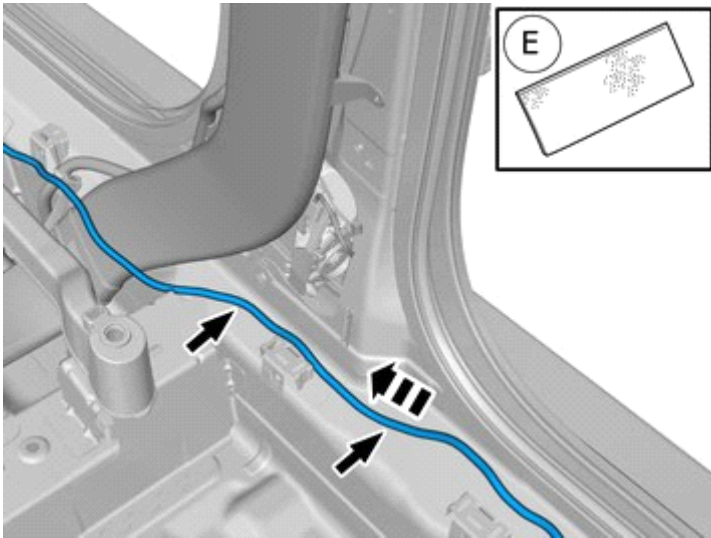
Use a cable tie



Installation instructions, accessories

Volvo Car Corporation Gothenburg, Sweden

91



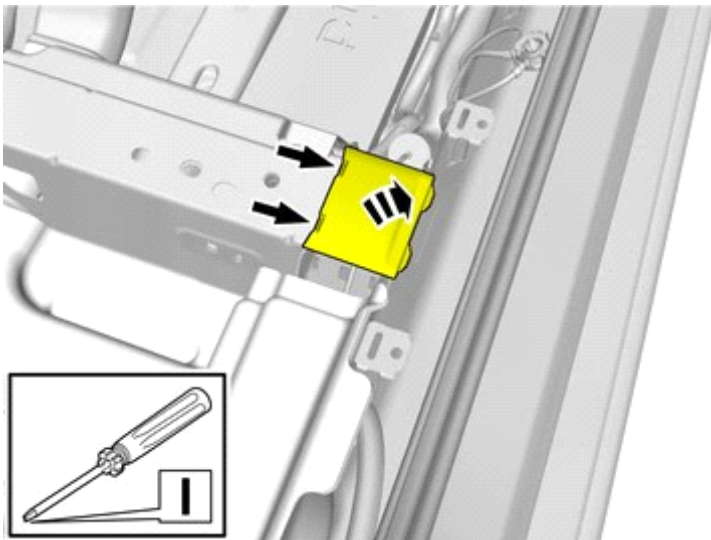
IMG-427427

Position/route the cables as illustrated.

Install the cables.

Use tape

92



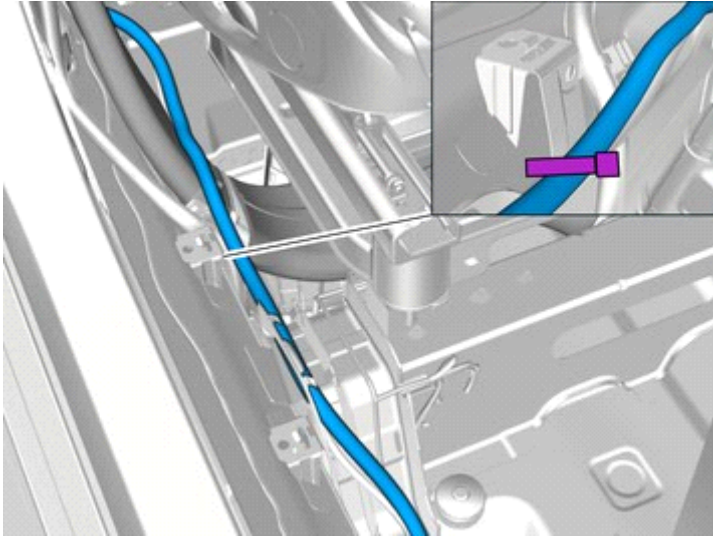
IMG-427425



Installation instructions, accessories

Volvo Car Corporation Gothenburg, Sweden

93

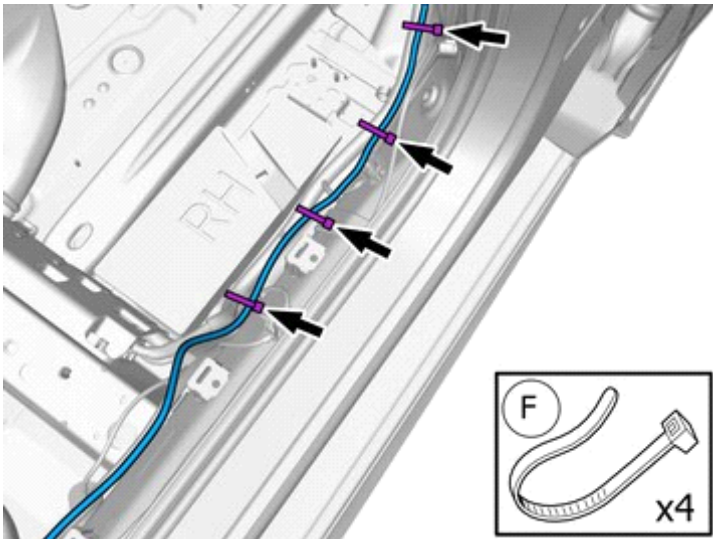


IMG-419993

Position/route the cable as illustrated.

Tighten the cable tie.

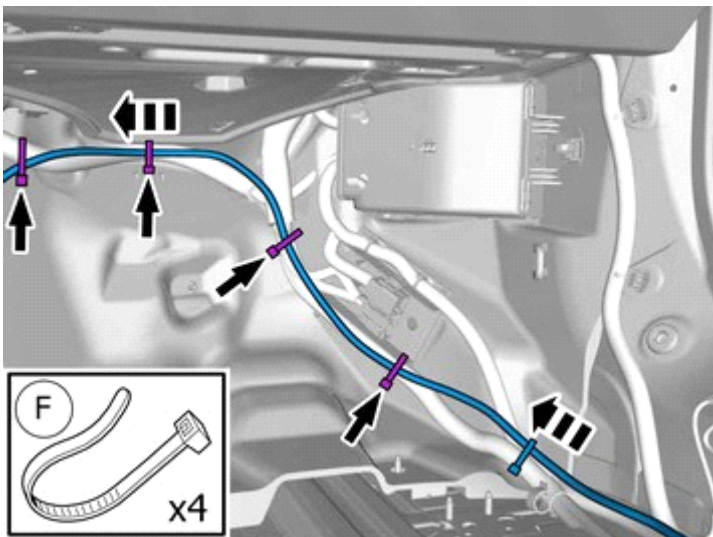
94



IMG-426642

Route the wire adjacent to existing wirings.

95



IMG-427824

Route the wire adjacent to existing wirings.

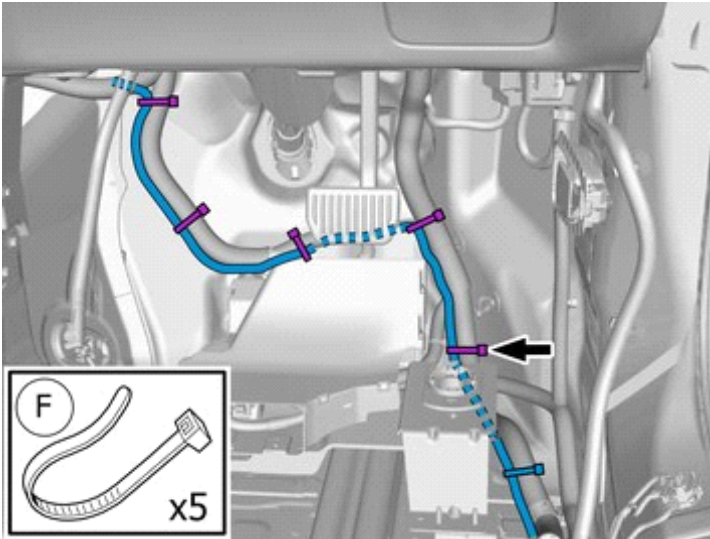


Installation instructions, accessories

Volvo Car Corporation Gothenburg, Sweden

Right-hand drive vehicles

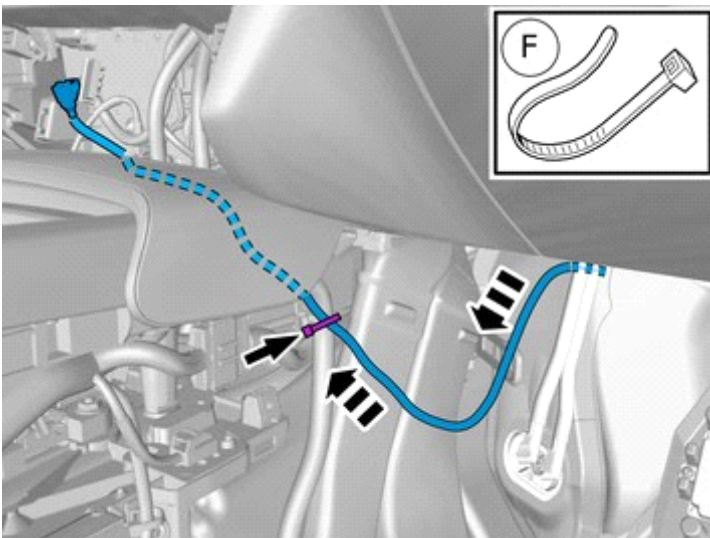
96



IMG-427805

All vehicles

97



IMG-426741

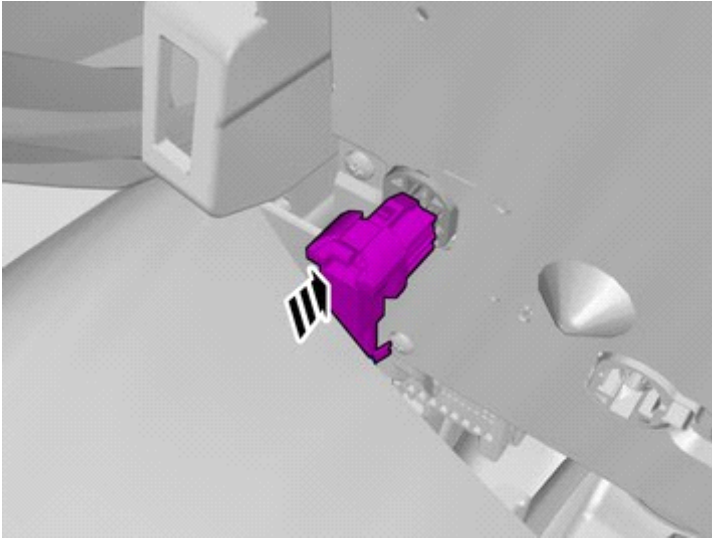
Position/route the cable as illustrated.



Installation instructions, accessories

Volvo Car Corporation Gothenburg, Sweden

98



IMG-389268

Connect the prerouted cable.

99

Download software (application) for the accessory's function according to the service information in VIDA. See VIDA or the accessories catalogue for software part number.

Installation

100

Reinstall the removed parts in reverse order.
